

CABLE MANAGEMENT

TR Fastenings is recognised throughout the industry for world class products & services

We manufacture, stock & distribute a vast range of industrial fasteners & components



www.trfastenings.com
sales@trfastenings.com
Edition 6

Cable Management

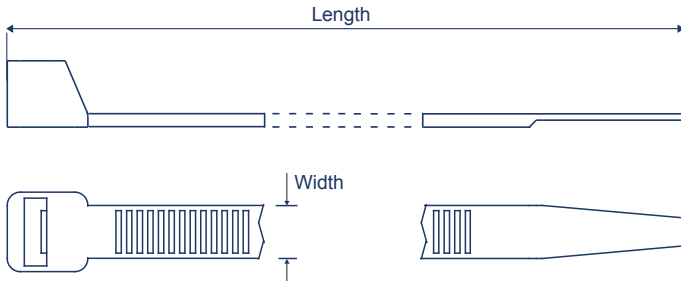
Contents



Cable Ties					
				Twist Lock (Side Entry Curly Lock) TRSKLO	9
	Standard SDNYCT	3		Stand-Off Twist Lock TRSTL	10
	Releasable RENYCT	4		Stand-Off Twist Lock TRSTL-1	11
	Push Mount PMNYCT	4		Stand-Off Twist Lock TRSTL-3	12
	Screw Mount SMNYCT	5		Stand-Off Twist Lock TRSTL-6	13
	Releasable Arrowhead RANYCT	5		Twist Lock Kurly Lock TRKL	14
Tie Holders			Wire Saddles		
	Flat Tie Holder SDNYTB	5		Micro - Arrowhead TRMWSEA1 / TRMWSEA2	15
	Flat Tie Arrowhead TRFTH-3	6		Narrow - Arrowhead TRWS / TRWS-A	15
	Push Mount TRFTH-3A	6		Locking TRLWS	16
	Push Mount TRFTH-6	6		Locking - Locking Top TRWSLT	16
	Flat Tie Holder on Adhesive Base TRFTH-7 / TRFTH-7A-RT	6		Mini - Teardrop Head TRMWS	17
	Flat Tie Holder Through Hole TRFTH-9	7		Mini - Blind Head TRWSBH	17
	Flat Tie Holder Countersunk TRFTH-13S	7		Hinged Edge - Type 1 TRHEWSE-22	18
	Flat Tie Holder TRFTH-13R	7		Hinged Edge - Type 2 TRHEWSE-25	18
	Flat Tie Blind Hole TRFTH-15	7		Micro - Adhesive Base TRMWSSEBE / TRMWSB	19
	Flat Tie Holder TRFTH-24 / TRFTH-24-1	8		Micro - Adhesive Base TRMWSEB	20
	Flat Tie Holder TRFTH-28RS	8		Stand-Off Harness TRSHK	20
	Screw Mount Flat Tie Holder TRFTH-34 / TRFTH-35	8	Clips		
Twist Locks				Releaseable Adjustable Clip TRAKKL	21
	Standard TRTL	9		P Clips TRUC	21

Standard Cable Ties - SDNYCT

Type	Standard Cable Ties
Material	Nylon 6/6 UL94-V2 / TMS 001
	Also available: Flame Retardant UL94-V0, Heat Stabilised & Low Fume on application
	Add HS to part number for heat stabilised, WR for weather resistant and FR for flame retardant
Colour	Natural / Black / Blue / Green / Red / Yellow / Brown
Max Bundle Diameter	22 - 295 mm
Standard Pack	100 per bag (SDNYCT-CT25100 also available in pack size 1000)



Part Number	Width mm (inch)	Length mm (inch)	Max Bundle Diameter mm (inch)	Standard Finishes Available	Minimum Tensile Strength kg (lbs)
SDNYCT-CT25100	2.5 (0.10)	100 (3.94)	22 (0.87)	N, BK, RD, BU, GN, YL, BN	8.1 (18)
SDNYCT-CT25120	2.5 (0.10)	120 (4.72)	30 (1.18)	N, BK	
SDNYCT-CT25160	2.5 (0.10)	160 (6.29)	40 (1.56)	N, BK	
SDNYCT-CT25200	2.5 (0.10)	200 (7.87)	53 (2.09)	N, BK	18.2 (40)
SDNYCT-CT36140	3.6 (0.14)	140 (5.51)	33 (1.30)	N, BK, RD, BU, GN, YL, BN	
SDNYCT-CT36200	3.6 (0.14)	200 (7.87)	53 (2.09)	N, BK	
SDNYCT-CT36300	3.6 (0.14)	300 (11.81)	76 (2.99)	N, BK	22.2 (50)
SDNYCT-CT48160	4.8 (0.19)	160 (6.30)	38 (1.50)	N, BK	
SDNYCT-CT48200	4.8 (0.19)	200 (7.87)	50 (1.97)	N, BK, RD, BU, GN, YL, BN	
SDNYCT-CT48250	4.8 (0.19)	250 (9.84)	60 (2.36)	N, BK	54.4 (120)
SDNYCT-CT48300	4.8 (0.19)	300 (11.81)	76 (2.99)	N, BK, RD, BU, GN, YL, BN, SL	
SDNYCT-CT48370	4.8 (0.19)	370 (14.57)	102 (4.02)	N, BK, RD, BU, GN, YL, BN, SL	
SDNYCT-CT48430	4.8 (0.19)	430 (16.93)	110 (4.33)	N, BK	79.4 (175)
SDNYCT-CT76200	7.6 (0.30)	200 (7.87)	50 (1.97)	N, BK	
SDNYCT-CT76300	7.6 (0.30)	300 (11.81)	76 (2.99)	N, BK	
SDNYCT-CT76450	7.6 (0.30)	450 (17.72)	132 (5.20)	N, BK	114 (250)
SDNYCT-CT76540	7.6 (0.30)	540 (21.26)	140 (5.51)	N, BK	
SDNYCT-CT76370	7.6 (0.30)	370 (14.57)	102 (4.02)	N, BK	
SDNYCT-CT90430	9 (0.35)	430 (16.93)	110 (4.33)	N, BK	114 (250)
SDNYCT-CT90530	9 (0.35)	530 (20.87)	140 (5.51)	N, BK	
SDNYCT-CT90710	9 (0.35)	710 (27.95)	190 (7.48)	N, BK	
SDNYCT-CT90780	9 (0.35)	780 (30.71)	228 (8.98)	N, BK	114 (250)
SDNYCT-CT901020	9 (0.35)	1020 (40.16)	295 (11.61)	N, BK	
SDNYCT-CT127580	12.7 (0.50)	580 (22.83)	152 (5.98)	N, BK	
SDNYCT-CT1271030	12.7 (0.50)	1030 (40.55)	295 (11.61)	N, BK	

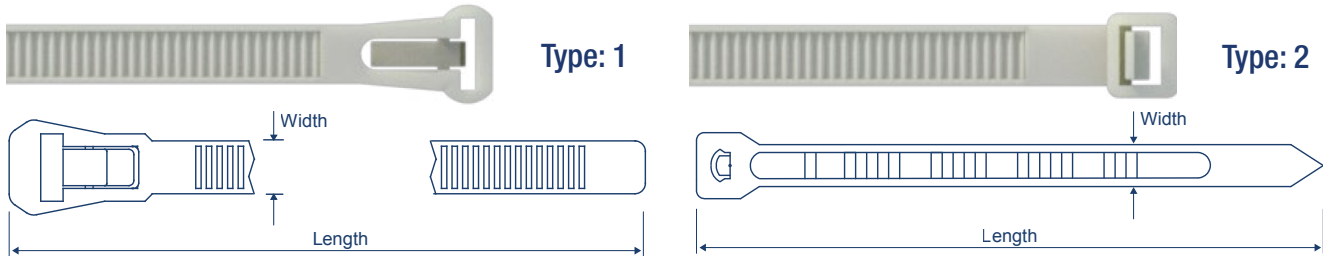


N = NATURAL, BK = BLACK, RD = RED, BU = BLUE, GN = GREEN, YL = YELLOW, BN = BROWN, SL = SILVER

Part number example -
2.5 x 100 in Black = SDNYCT-CT25100BLACK

Releasable Cable Ties | RENYCT

Type Releasable Cable Ties
 Material Nylon 6/6 UL94-V2 / TMS 001
 Colour Natural / Black
 Standard Pack 100 per bag



Part Number	Type	Approx Width mm (inch)	Approx. Length mm (inch)	Max Bundle Diameter mm (inch)	Minimum Loop Tensile Strength kg (lbs)
RENYCT-CT36100	2	3.6 (0.14)	100 (3.94)	33 (1.30)	18.2 (40)
RENYCT-CT48200	2	4.8 (0.19)	200 (7.87)	50 (1.97)	22.2 (50)
RENYCT-CT48300	2	4.8 (0.19)	300 (11.81)	86 (3.39)	22.2 (50)
RENYCT-CT48370	2	4.8 (0.19)	370 (14.57)	102 (4.02)	22.2 (50)
RENYCT-CT76200	1	7.6 (0.30)	200 (7.87)	50 (1.97)	54.4 (120)
RENYCT-CT76250	1	7.6 (0.30)	250 (9.84)	66 (2.60)	54.4 (120)
RENYCT-CT76300	1	7.6 (0.30)	300 (11.81)	89 (3.50)	54.4 (120)



Part number example -
 7.6 x 250 in Black = RENYCT-CT76250BLACK

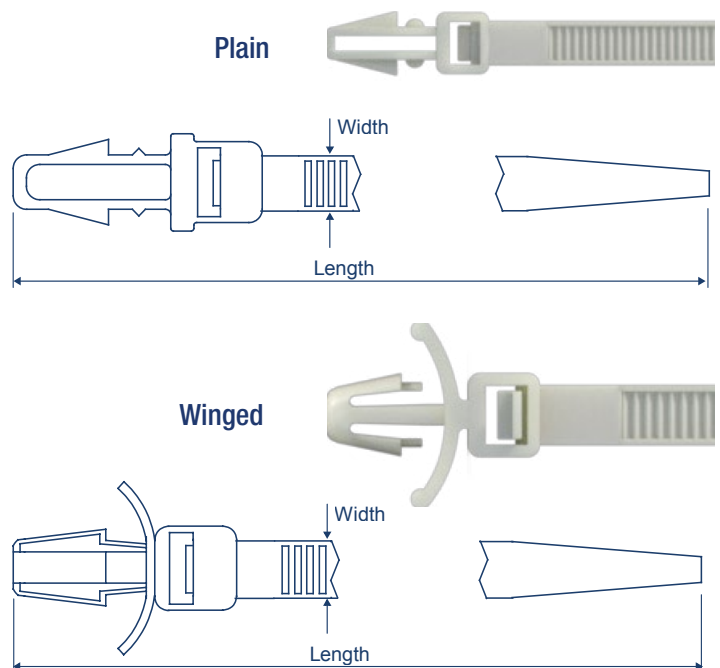
Push Mount Cable Ties - Plain and Winged | PMNYCT

Type Push Mount Cable Ties
 Material Nylon 6/6 UL94-V2 / TMS 001
 Colour Natural / Black
 Standard Pack 100 per bag

Part Number	Width mm	Length mm	Hole Size mm	Max Panel Thickness mm
Plain				
PMNYCT-CT48200	4.8	200	6.4	2.7
Winged				
PMNYCT-CT25100	2.5	100	3.6	3.5
PMNYCT-CT48100	4.8	100	6.4	2.7
PMNYCT-CT48200	4.8	200	5.6	3.5



Part number examples -
 Plain 4.8 x 200 Black = PMNYCT-CT48200BLACK
 Winged 4.8 x 200 Black = PMNYCT-CT48200BLACKWINGED



Cable Management

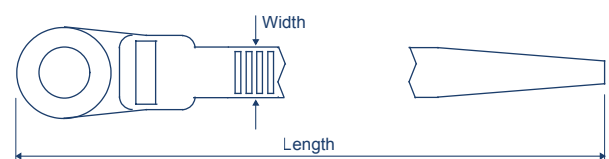
Cable Ties & Tie Holders



Screw Mount Cable Ties | SMNYCT

Type: Screw Mount Cable Tie
 Material: Nylon 6/6 V2 / TMS 001
 Colour: Natural / Black
 Standard Pack: 1,000 per bag

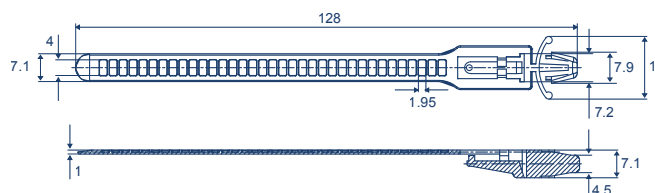
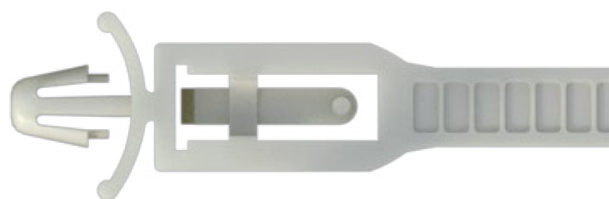
Part Number	Width mm	Length mm	Hole Size mm
SMNYCT-CT25110	2.5	110	3.2
SMNYCT-CT36150	3.6	150	4.0
SMNYCT-CT48200	4.8	200	4.7
SMNYCT-CT48300	4.8	300	4.7
SMNYCT-CT48370	4.8	370	4.7
SMNYCT-CT76300	7.6	300	6.0
SMNYCT-CT76400	7.6	380	6.0



Part number example - 7.6 x 400 Black = SMNYCT-CT76400BLACK

Releasable Arrowhead Cable Ties | RANYCT

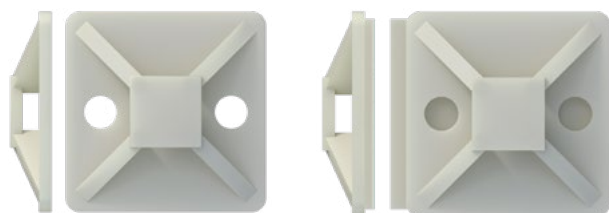
Type: Releasable Arrow Head Cable Tie
 Material: Nylon 6/6 V2 / TMS 001
 Nylon 6/6 V0 / TMS 019
 Colour: Natural
 Hole Dia: 6.35 mm
 Panel Thickness: 1.6 mm
 Max Bundle Diameter: \varnothing 12 ~ \varnothing 30 mm
 Unit: mm
 Standard Pack: 1,000 per bag



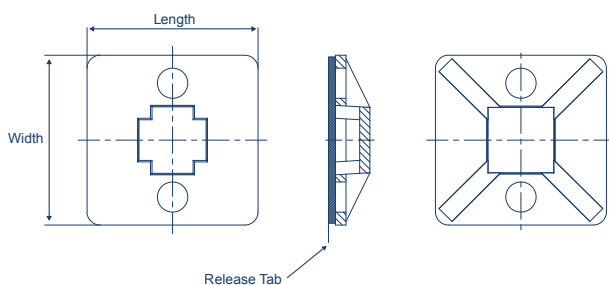
Part number examples -
 Nylon 6/6 V2 = RANYCT-TRTOAH-18-01
 Nylon 6/6 V0 = RANYCT-TRTOAH-18-19

Flat Tie Holder | SDNYTB

Type: Flat Tie Holder
 Material: Nylon 6/6 V2 / TMS 001
 Colour: Natural / Black
 Unit: mm
 Standard Pack: 1,000 per bag



Part Number	Width mm	Length mm	Screw Hole Size mm	Max. Cable Tie Size mm
SDNYTB-CTAB1919	19	19	\varnothing 3.5	3.6
SDNYTB-CTAB2828	28	28	\varnothing 5.7	4.8



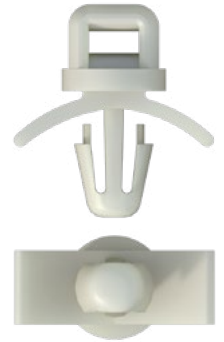
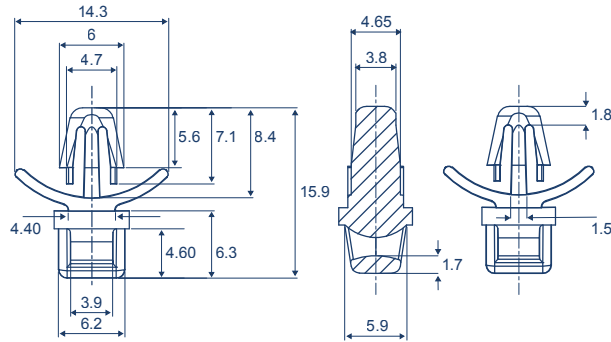
Part number example -
 19 x 19 Black = SDNYTB-CTAB1919BLACK

Flat Tie Holder - Arrowhead | TRFTH - 3

Type Flat Tie Holder - Arrowhead
 Material Nylon 66 V2 / TMS 001
 Nylon 66 V0 / TMS 019
 Colour Natural
 Hole Dia 4.75 ± 0.08 mm
 Panel Thickness 0.79 ~ 1.98 mm
 Unit mm
 Standard Pack 1,000 per bag



Part number example -
 TRFTH-3-01

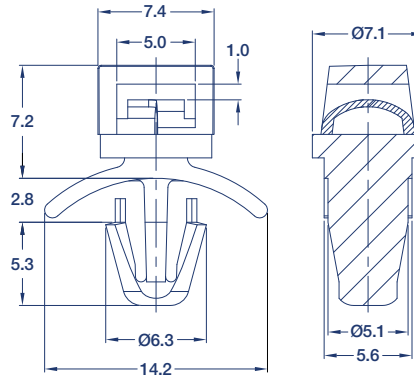


Push Mount Tie Holder | TRFTH - 3A

Type Push Mount Tie Holder
 Material Nylon 66 V2 / TMS 001
 Nylon 66 V0 / TMS 019
 Colour Natural
 Hole Dia \varnothing 5.30 ± 0.08mm
 Panel Thickness 0.80 ~ 2.00mm
 Unit mm
 Standard Pack 1,000 per bag



Part number example -
 TRFTH-3A-01

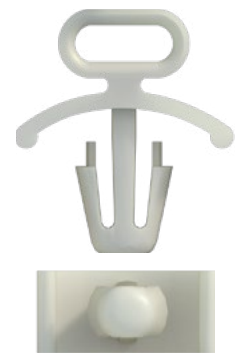
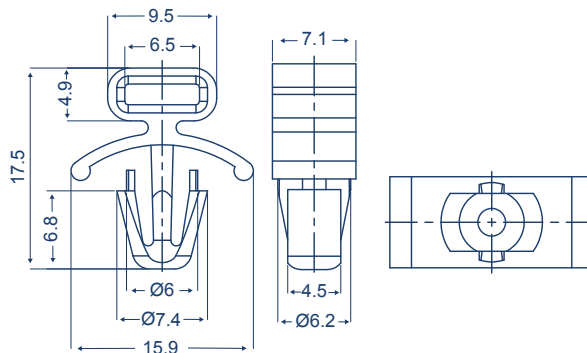


Push Mount Tie Holder | TRFTH - 6

Type Push Mount Tie Holder
 Material Nylon 66 V2 / TMS 001
 Nylon 66 V0 / TMS 019
 Colour Natural
 Hole Dia \varnothing 6.35
 Panel Thickness 1.19 ~ 2.77 mm
 Unit mm
 Standard Pack 1,000 per bag



Part number example -
 TRFTH-6-01

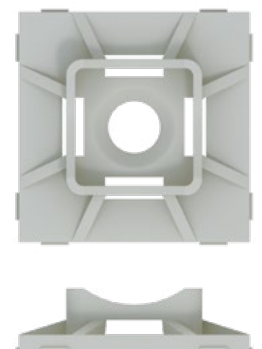
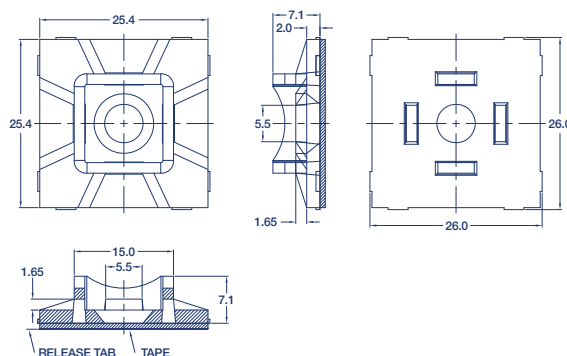


Flat Tie Holder on Adhesive Base | TRFTH - 7 / TRFTH - 7A - RT

Type Flat Tie Holder on Adhesive Base
 Material Nylon 66 V2 / TMS 001
 Nylon 66 V0 / TMS 019
 Colour Natural
 Unit mm
 Standard Pack 1,000 per bag



Part number examples -
 TRFTH-7-01
 TRFTH-7A-RT (With adhesive tape)

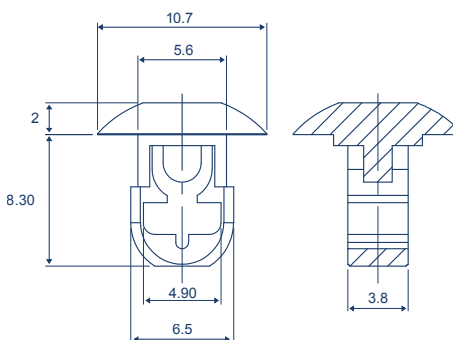


Flat Tie Holder - Through Hole | TRFTH - 9

Type	Flat Tie Holder - Through Hole
Material	Nylon 66 V2 / TMS 001 Nylon 66 V0 / TMS 019
Colour	Natural
Hole Dia	6.35 mm
Panel Thickness	3.18 mm
Standard Pack	1,000 per bag



Part number example -
TRFTH-9-01

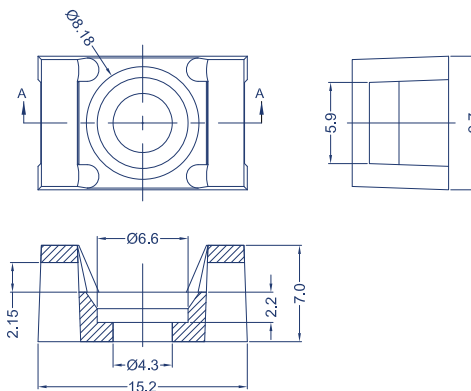


Flat Tie Holder Countersunk | TRFTH - 13S

Type	Flat Tie Holder Countersunk
Material	Nylon 66 V2 / TMS 001 Nylon 66 V0 / TMS 019
Colour	Natural
Unit	mm
Standard Pack	1,000 per bag



Part number example -
TRFTH-13S-01

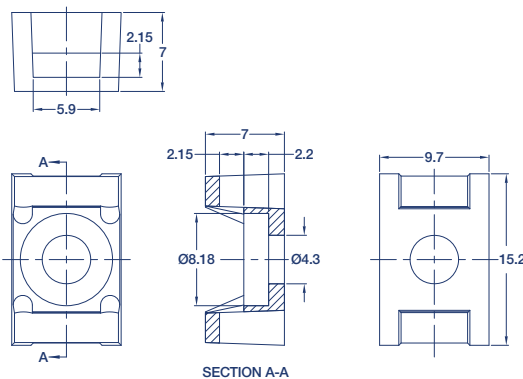


Flat Tie Holder | TRFTH - 13R

Type	Flat Tie Holder
Material	Nylon 66 V2 / TMS 001 Nylon 66 V0 / TMS 019
Colour	Natural
Unit	mm
Standard Pack	1,000 per bag



Part number example -
TRFTH-13R-01

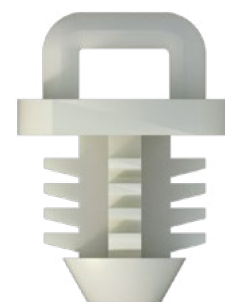
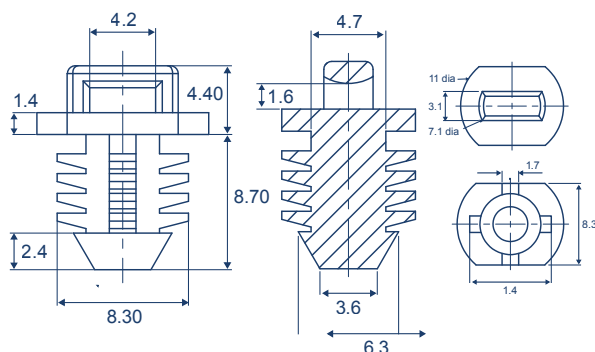


Flat Tie Holder - Blind Hole | TRFTH-15

Type	Flat Tie Holder - Blind Hole
Material	Nylon 66 V2 / TMS 001 Nylon 66 V0 / TMS 019
Colour	Natural
Hole Dia	7.92 ± 0.08 mm
Panel Thickness	6.4 mm Min
Unit	mm
Standard Pack	1,000 per bag

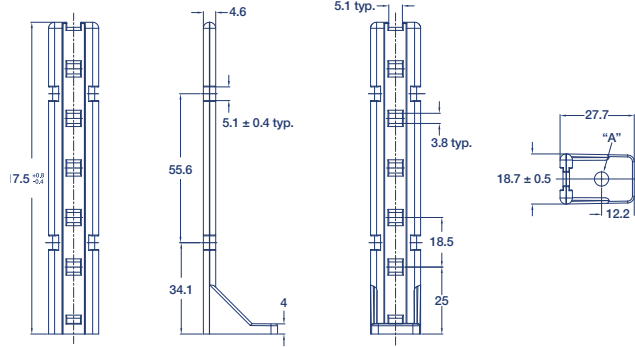


Part number example -
TRFTH-15-01



Flat Tie Holder | TRFTH - 24 / TRFTH - 24 - 1

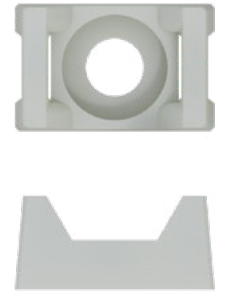
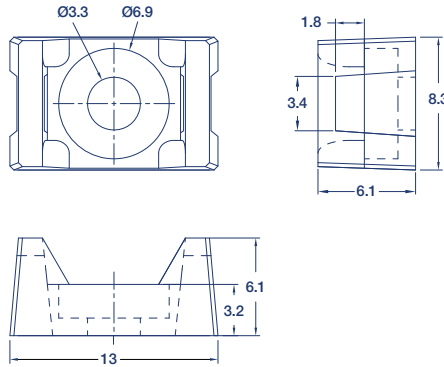
Type Flat Tie Holder
 Material Nylon 66 V2 / TMS 001
 Colour Natural
 TRFTH-24 Hole Dia $\varnothing 5.30 \pm 0.08\text{mm}$
 TRFTH-24-1 Hole Dia $\varnothing 6.40 \pm 0.08\text{mm}$
 Unit mm
 Standard Pack 1,000 per bag



Part number examples -
 TRFTH-24-01
 TRFTH-24-1-01

Flat Tie Holder | TRFTH - 28RS

Type Flat Tie Holder
 Material Nylon 66 V2 / TMS 001
 Nylon 66 V0 / TMS 019
 Colour Natural / Black
 Unit mm
 Standard Pack 1,000 per bag



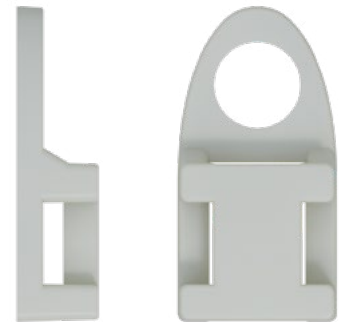
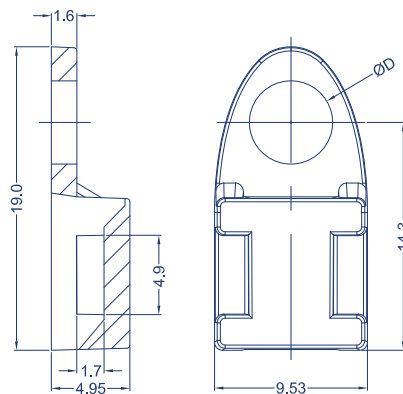
For use with: TRSR3035 Rivet / TRSR3100 Rivet / M3 Screw



Part number example -
 TRFTH-28RS-01

Screw Mount Flat Tie Holder | TRFTH - 34 / TRFTH - 35

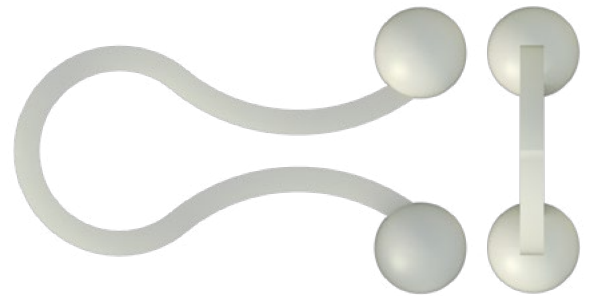
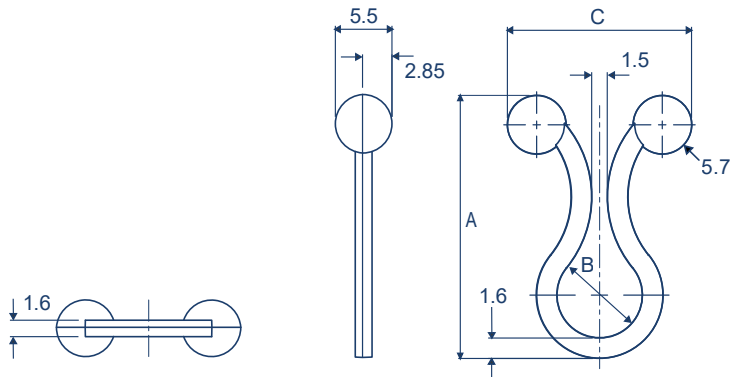
Type Push Mount Tie Holder
 Material Nylon 66 V2 / TMS 001
 Colour Natural
 TRFTH-34 Hole Dia $\varnothing 4.30 \pm 0.08\text{mm}$
 TRFTH-35 Hole Dia $\varnothing 5.10 \pm 0.08\text{mm}$
 Unit mm
 Standard Pack 1,000 per bag



Part number examples -
 TRFTH-34-01
 TRFTH-35-01

Twist Lock | TRTL

Type Twist Lock
 Material Nylon 66 V2 / TMS 001
 Nylon 66 V0 / TMS 019
 Colour Natural / Black
 Unit mm
 Standard Pack 1,000 per bag



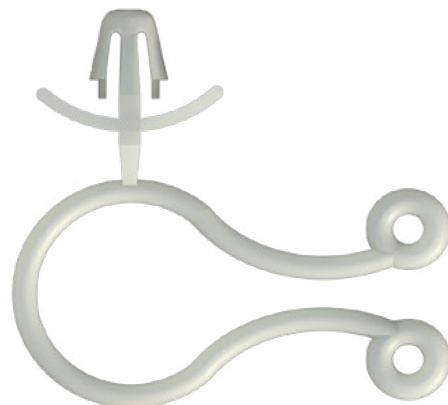
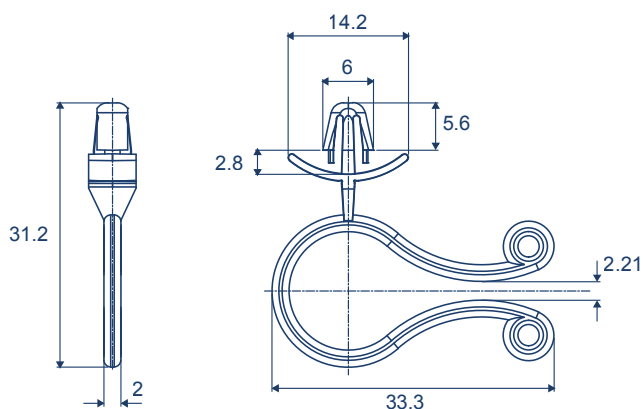
Part Number	"A"	"B"	"C"
TRTL-250-01	22.9	5.1 - 7.6	17.9
TRTL-350-01	26.2	7.6 - 10.2	18.5
TRTL-450-01	30.5	10.2 - 12.7	19.0
TRTL-950-01	43.3	25.4 max	19.7



Part number examples -
 Nylon 6/6 V2 = TRTL-250-01
 Nylon 6/6 V0 = TRTL-250-19

Twist Lock (Side Entry Curly Lock) | TRSKLO

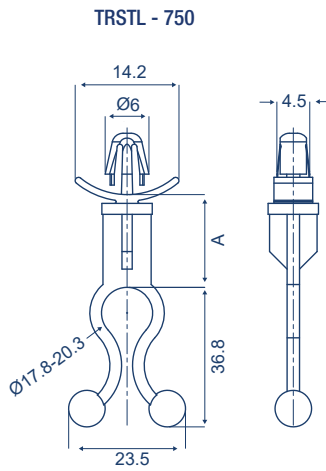
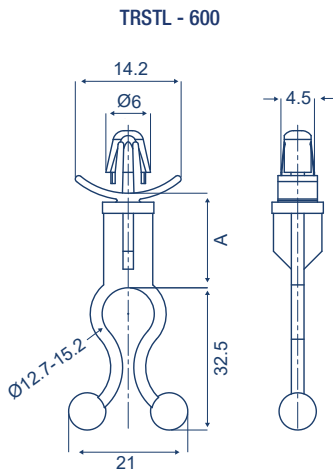
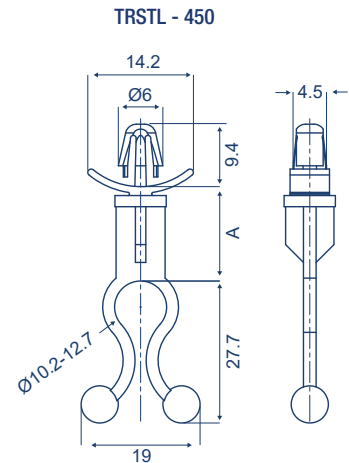
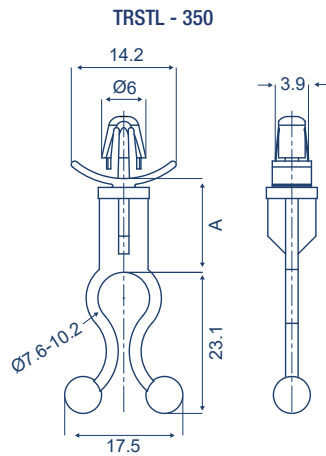
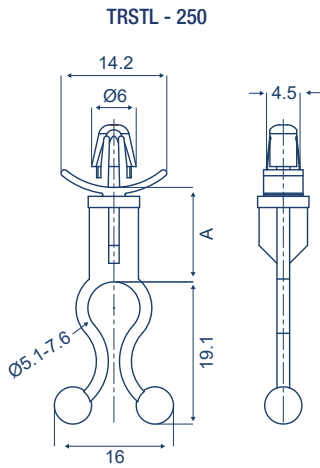
Type Side Entry Curly Lock
 Material Nylon 66 V2 / TMS 001
 Nylon 66 V0 / TMS 019
 Colour Natural
 Hole 4.75 ± 0.05 mm
 Panel Thickness 1.6 mm
 Unit mm
 Standard Pack 1,000 per bag



Part number examples -
 Nylon 6/6 V2 = TRSKLO-550-01
 Nylon 6/6 V0 = TRSKLO-550-19

Stand-Off Twist Lock | TRSTL

Type Stand-off Twist Lock
 Material Nylon 6/6 V2 / TMS 001
 Nylon 6/6 V0 / TMS 019
 Colour Natural
 Unit mm
 Standard Pack 1,000 per bag
 Hole $4.75 \pm 0.08\text{mm}$
 Panel Thickness 0.8 - 2.0mm



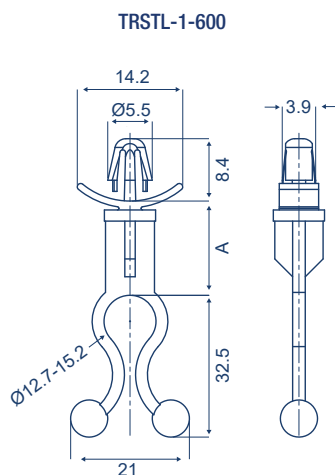
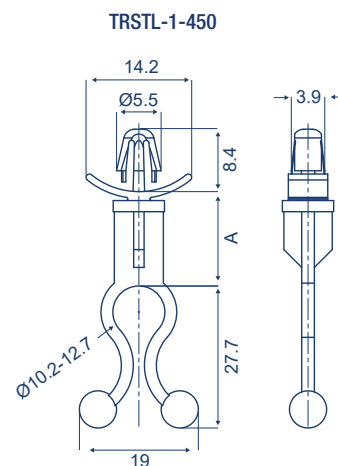
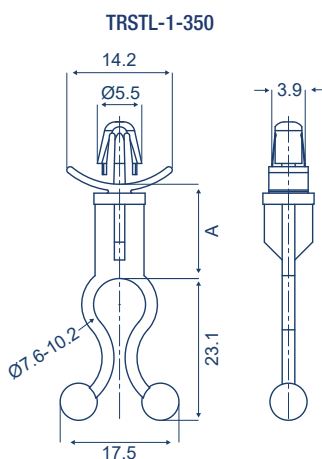
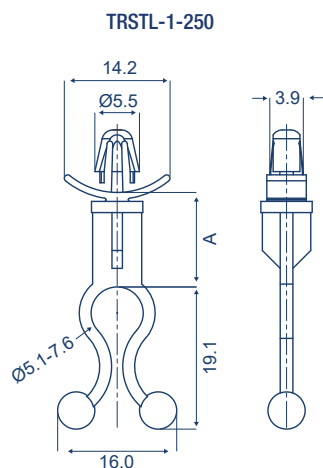
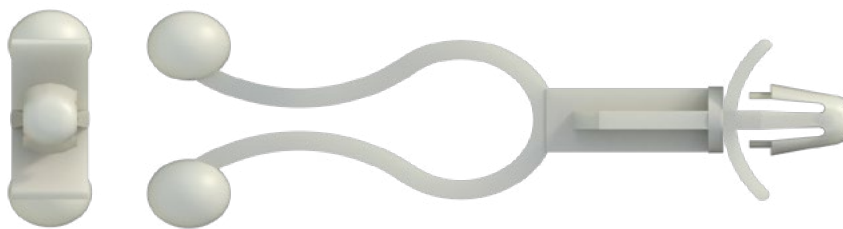
TRSTL - 250	TRSTL - 350	TRSTL - 450	TRSTL - 600	TRSTL - 750	"A" ± 0.4
Part Number	Part Number	Part Number	Part Number	Part Number	
TRSTL - 250 - 3 - 01	TRSTL - 350 - 3 - 01	TRSTL - 450 - 3 - 01	TRSTL - 600 - 3 - 01	TRSTL - 750 - 3 - 01	4.8
TRSTL - 250 - 8 - 01	TRSTL - 350 - 8 - 01	TRSTL - 450 - 8 - 01	TRSTL - 600 - 8 - 01	TRSTL - 750 - 8 - 01	12.7
TRSTL - 250 - 12 - 01	TRSTL - 350 - 12 - 01	TRSTL - 450 - 12 - 01	TRSTL - 600 - 12 - 01	TRSTL - 750 - 12 - 01	19.1
TRSTL - 250 - 16 - 01	TRSTL - 350 - 16 - 01	TRSTL - 450 - 16 - 01	TRSTL - 600 - 16 - 01	TRSTL - 750 - 16 - 01	25.4
TRSTL - 250 - 20 - 01	TRSTL - 350 - 20 - 01	TRSTL - 450 - 20 - 01	TRSTL - 600 - 20 - 01	TRSTL - 750 - 20 - 01	31.8



Part number example -
 Nylon 6/6 V2 = TRSTL-250-20-01

Stand-Off Twist Lock | TRSTL-1

Type Stand-off Twist Lock
 Material Nylon 6/6 V2 / TMS 001
 Nylon 6/6 V0 / TMS 019
 Colour Natural
 Unit mm
 Standard Pack 1,000 per bag
 Hole $4.0 \pm 0.08\text{mm}$
 Panel Thickness 0.8 - 2.0mm



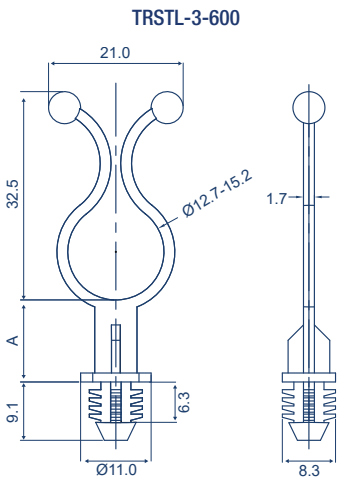
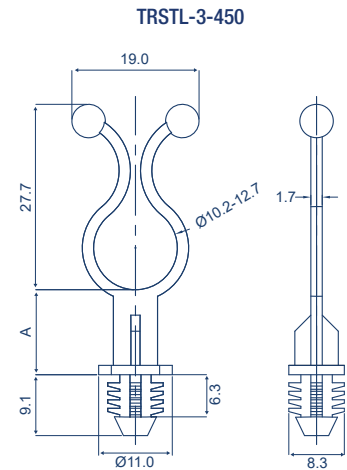
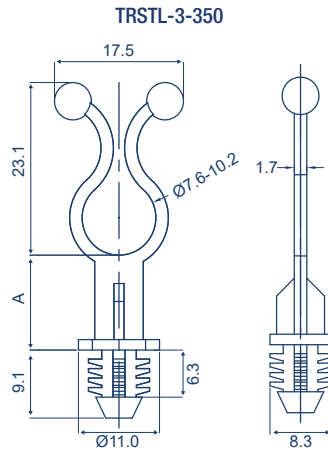
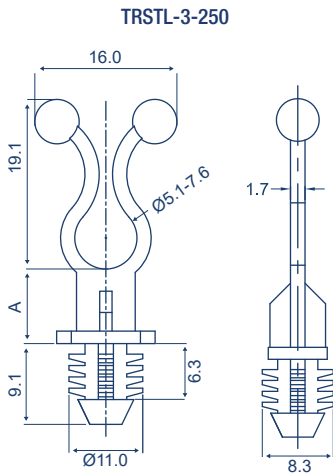
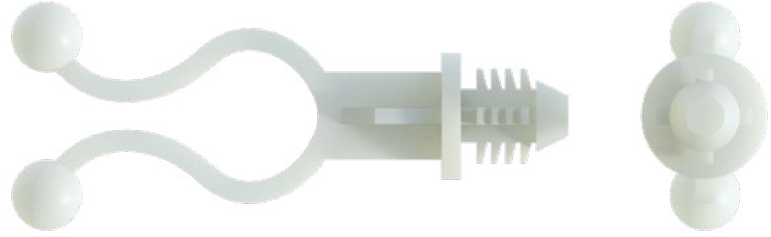
TRSTL-1-250		TRSTL-1-350		TRSTL-1-450		TRSTL-1-600			
Part Number		Part Number		Part Number		Part Number		A	
TRSTL-1-250-3-01		TRSTL-1-350-3-01		TRSTL-1-450-3-01		TRSTL-1-600-3-01		4.8	
TRSTL-1-250-8-01		TRSTL-1-350-8-01		TRSTL-1-450-8-01		TRSTL-1-600-8-01		12.7	
TRSTL-1-250-12-01		TRSTL-1-350-12-01		TRSTL-1-450-12-01		TRSTL-1-600-12-01		19.1	
TRSTL-1-250-16-01		TRSTL-1-350-16-01		TRSTL-1-450-16-01		TRSTL-1-600-16-01		25.4	
TRSTL-1-250-20-01		TRSTL-1-350-20-01		TRSTL-1-450-20-01		TRSTL-1-600-20-01		31.8	



Part number example -
 Nylon 6/6 V2 = TRSTL-1-250-20-01

Stand-Off Twist Lock | TRSTL-3

Type Stand-off Twist Lock
 Material Nylon 6/6 V2 / TMS 001
 Nylon 6/6 V0 / TMS 019
 Colour Natural
 Unit mm
 Standard Pack 1,000 per bag
 Hole $7.9 \pm 0.08\text{mm}$
 Panel Thickness 6.4 mm



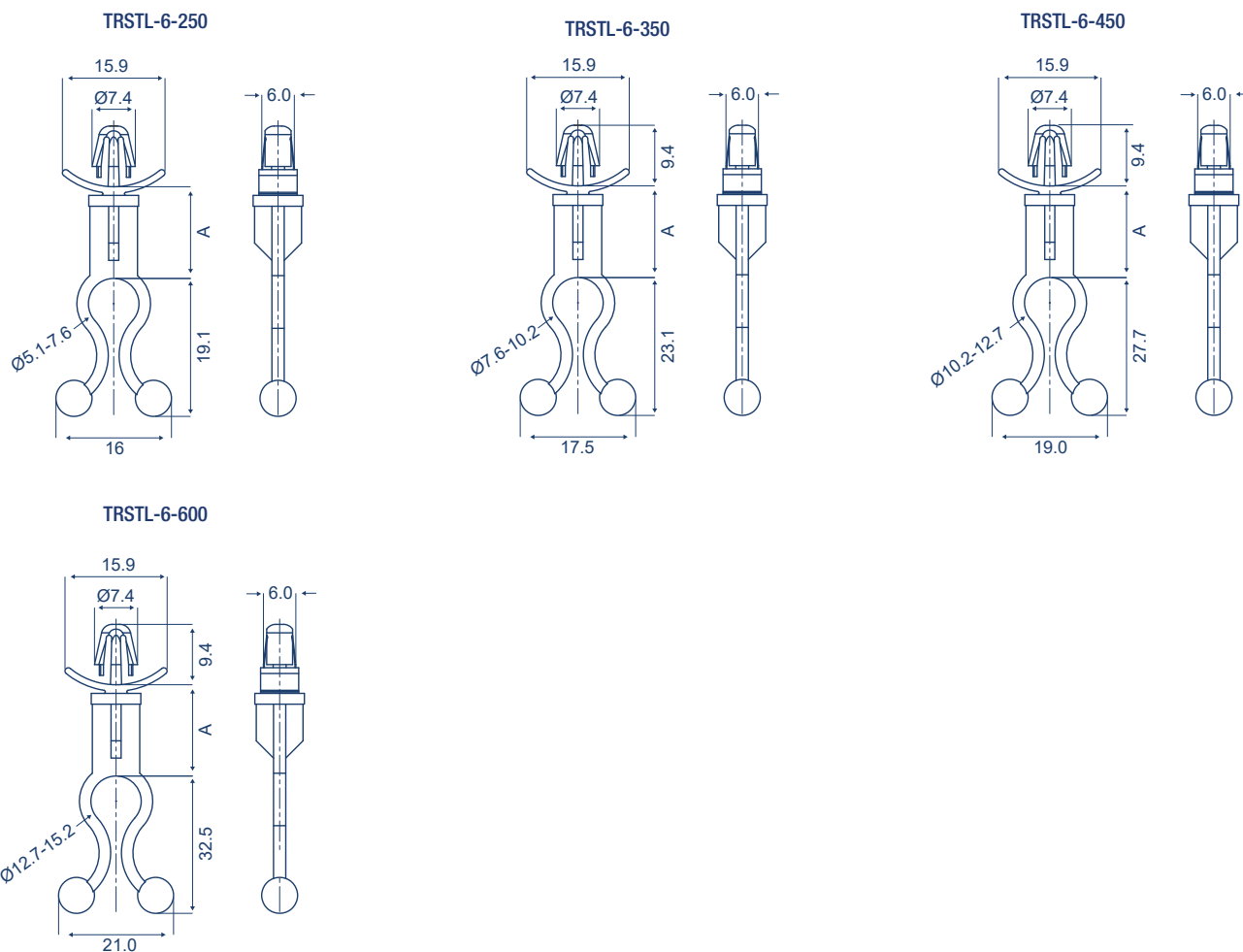
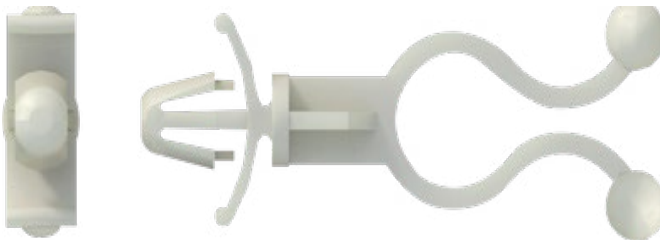
TRSTL-3-250		TRSTL-3-350		TRSTL-3-450		TRSTL-3-600		"A" ± 0.4
Part Number	Part Number	Part Number	Part Number	Part Number	Part Number	Part Number	Part Number	
TRSTL-3-250-3-01	TRSTL-3-350-3-01	TRSTL-3-450-3-01	TRSTL-3-600-3-01					4.8
TRSTL-3-250-8-01	TRSTL-3-350-8-01	TRSTL-3-450-8-01	TRSTL-3-600-8-01					12.7
TRSTL-3-250-12-01	TRSTL-3-350-12-01	TRSTL-3-450-12-01	TRSTL-3-600-12-01					19.1
TRSTL-3-250-16-01	TRSTL-3-350-16-01	TRSTL-3-450-16-01	TRSTL-3-600-16-01					25.4
TRSTL-3-250-20-01	TRSTL-3-350-20-01	TRSTL-3-450-20-01	TRSTL-3-600-20-01					31.8



Part number example -
 Nylon 6/6 V2 = TRSTL-3-250-20-01

Stand-Off Twist Lock | TRSTL-6

Type	Stand-off Twist Lock
Material	Nylon 6/6 V2 / TMS 001 Nylon 6/6 V0 / TMS 019
Colour	Natural
Unit	mm
Standard Pack	1,000 per bag
Hole	6.0 ± 0.08mm
Panel Thickness	0.8-2.0mm



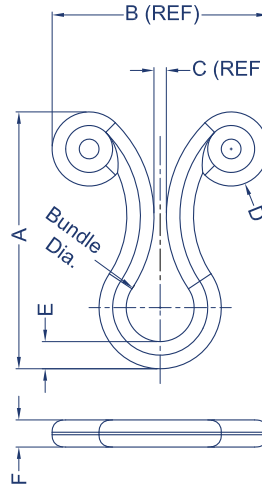
TRSTL-6-250		TRSTL-6-350		TRSTL-6-450		TRSTL-6-600		"A" ± 0.4
Part Number	Part Number	Part Number	Part Number	Part Number	Part Number	Part Number	Part Number	
TRSTL-6-250-3-01	TRSTL-6-350-3-01	TRSTL-6-450-3-01	TRSTL-6-600-3-01					4.8
TRSTL-6-250-8-01	TRSTL-6-350-8-01	TRSTL-6-450-8-01	TRSTL-6-600-8-01					12.7
TRSTL-6-250-12-01	TRSTL-6-350-12-01	TRSTL-6-450-12-01	TRSTL-6-600-12-01					19.1
TRSTL-6-250-16-01	TRSTL-6-350-16-01	TRSTL-6-450-16-01	TRSTL-6-600-16-01					25.4
TRSTL-6-250-20-01	TRSTL-6-350-20-01	TRSTL-6-450-20-01	TRSTL-6-600-20-01					31.8



Part number example -
Nylon 6/6 V2 = TRSTL-6-250-20-01

Twist Lock Kurly Lock | TRKL

Type Twist Lock Kurly Lock
 Material Nylon 6/6 V2 / TMS 001
 Colour Natural
 Unit mm
 Standard Pack 1,000 per bag

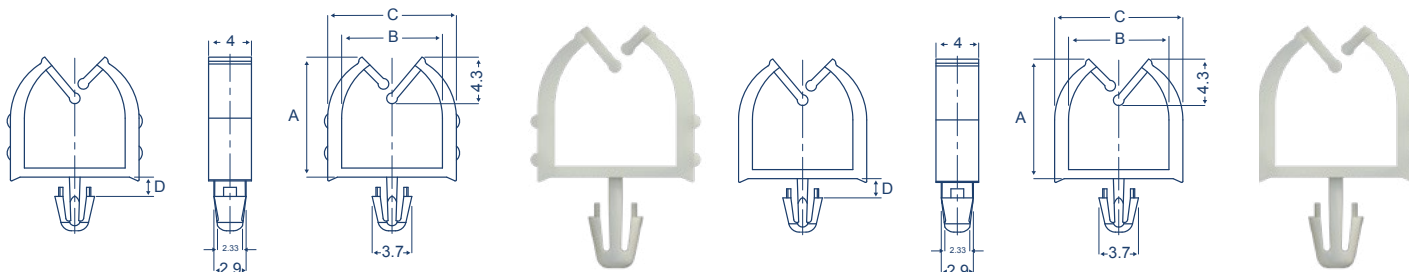


Part number example -
 Nylon 6/6 V2 = TRKL-125-01

Part Number	A	B	C	D	E	F	Bundle Dia
TRKL-125	12.2	9.5	0.6	3.5	1.4	1.4	3.2 - 3.8
TRKL-200	20.8	17.5	1.0	6.0	2.2	2.2	4.1 - 6.1
TRKL-250	23.0	20.0	1.5	6.5	2.0	2.0	5.1 - 7.6
TRKL-350	26.2	20.0	1.5	6.5	2.0	2.0	7.6 - 10.2
TRKL-450	30.5	20.0	1.5	6.5	2.0	2.0	10.2 - 12.7
TRKL-600	31.8	20.0	1.5	6.5	2.0	2.0	14.0 - 16.5
TRKL-750	38.6	20.0	1.5	6.5	2.0	2.0	17.8 - 20.3

Micro Wire Saddle - Arrowhead | TRMWSEA1 | TRMWSEA2

Type: Micro Wire Saddle - Arrowhead
 Material: Nylon 6/6 V2 / TMS 001
 Nylon 6/6 V0 / TMS 019
 Colour: Natural
 Unit: Standard Pack
 mm: 1,000 per bag



Part: TRMWSEA1

Part Number	"A"	"B"	"C"	"D"	Panel	Hole
TRMWSEA1 - 1 - 01	7.3	6.7	9.1	1.8	1.6	3.0
TRMWSEA1 - 2 - 01	9.1	8.2	10.8			
TRMWSEA1 - 3 - 01	11.2	9.4	12.0			
TRMWSEA1 - 4 - 01	13.0	9.4	12.0			

TRMWSEA1 - 1 - 1 - 01	7.3	6.7	9.1	2.6	2.4	3.0
TRMWSEA1 - 1 - 2 - 01	9.1	8.2	10.8			
TRMWSEA1 - 1 - 3 - 01	11.2	9.4	12.0			
TRMWSEA1 - 1 - 4 - 01	13.0	9.4	12.0			

Part: TRMWSEA2

Part Number	"A"	"B"	"C"	"D"	Panel	Hole
TRMWSEA2 - 1 - 01	7.3	6.7	9.1	1.8	1.6	3.5
TRMWSEA2 - 2 - 01	9.1	8.2	10.8			
TRMWSEA2 - 3 - 01	11.2	9.4	12.0			
TRMWSEA2 - 4 - 01	13.0	9.4	12.0			

TRMWSEA2 - 1 - 1 - 01	7.3	6.7	9.1	1.8	2.4	3.5
TRMWSEA2 - 1 - 2 - 01	9.1	8.2	10.8			
TRMWSEA2 - 1 - 3 - 01	11.2	9.4	12.0			
TRMWSEA2 - 1 - 4 - 01	13.0	9.4	12.0			



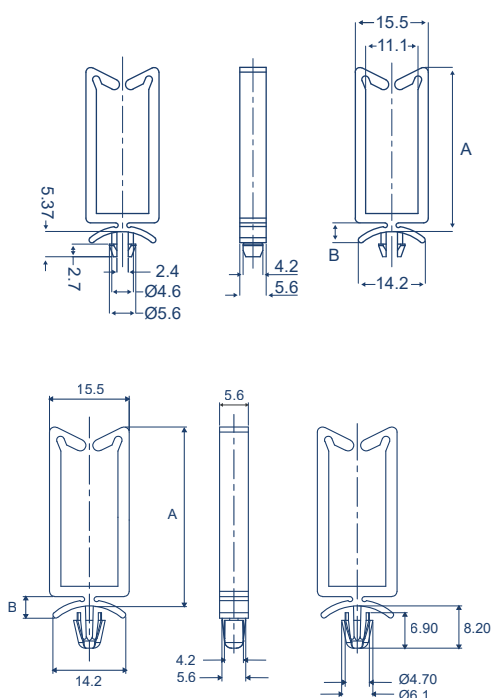
Part number examples -
 Nylon 6/6 V2 = TRMWSEA1-1-01
 Nylon 6/6 V0 = TRMWSEA1-1-19

TRMWSEA1 = 3.0 mm Hole
 TRMWSEA2 = 3.5 mm Hole

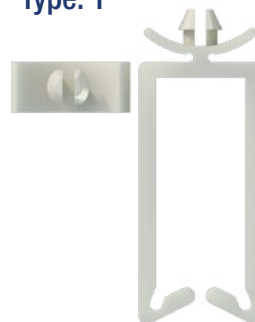
Narrow Wire Saddle (Arrowhead) | TRWS / TRWS - A

Type: Narrow Wire Saddle Arrowhead
 Material: Nylon 6/6 V2 / TMS 001
 Nylon 6/6 V0 / TMS 019
 Colour: Natural
 Hole Dia: 4.75 ± 0.08 mm
 Unit: mm
 Standard Pack: 1,000 per bag

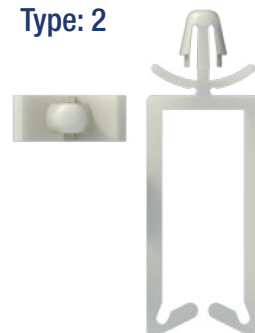
Part Number Type 1	Part Number Type 2	Part Number Type 2
TRWS - 1 - 01	TRWS - A - 1 - 01	TRWS - A - 2 - 1 - 01
TRWS - 2 - 01	TRWS - A - 2 - 01	TRWS - A - 2 - 2 - 01
TRWS - 3 - 01	TRWS - A - 3 - 01	TRWS - A - 2 - 3 - 01
TRWS - 4 - 01	TRWS - A - 4 - 01	TRWS - A - 2 - 4 - 01
Panel Thickness 1.6mm	Panel Thickness 1.6mm	Panel Thickness 3.2mm
B: 4.2mm	B: 2.8mm	B: 4.2mm



Type: 1



Type: 2



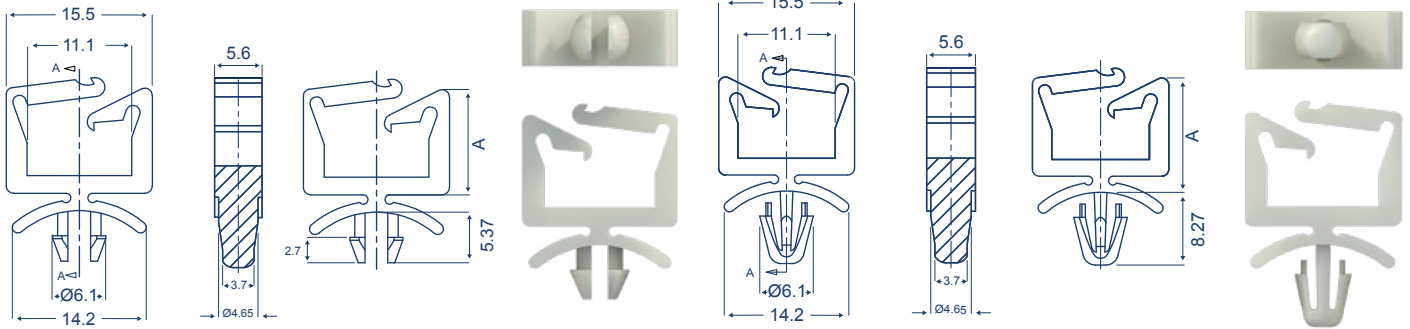
Part number examples -
 Nylon 6/6 V2 = TRWS-1-01
 Nylon 6/6 V0 = TRWS-1-19

Locking Wire Saddle | TRLWS

Type Locking Wire Saddle (Arrowhead)
 Material Nylon 6/6 V2 / TMS 001
 Nylon 6/6 V0 / TMS 019
 Colour Natural
 Hole Dia 4.75 ± 0.08 mm
 Unit mm
 Standard Pack 1,000 per bag

Type 1

Type 2/2A



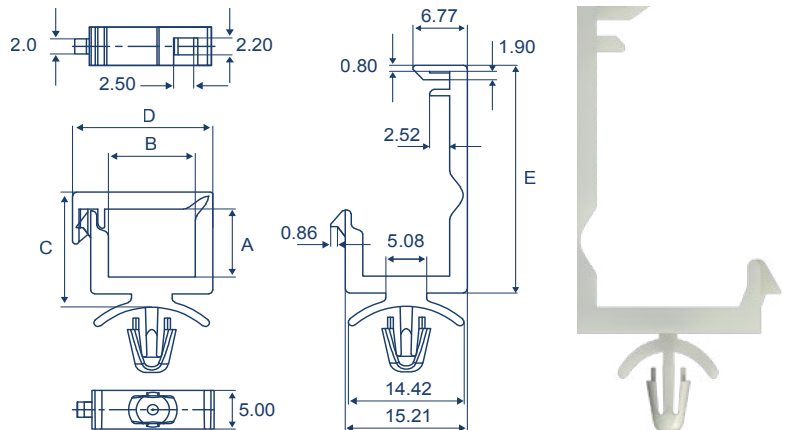
Part Number - Type 1	Part Number - Type 2	Part Number - Type 2 A	"A" ± 0.4
TRLWS - 1 - 01	TRLWS - A - 1 - 01	TRLWS - A - 2 - 1 - 01	13.0
TRLWS - 2 - 01	TRLWS - A - 2 - 01	TRLWS - A - 2 - 2 - 01	18.0
TRLWS - 3 - 01	TRLWS - A - 3 - 01	TRLWS - A - 2 - 3 - 01	27.2
TRLWS - 4 - 01	TRLWS - A - 4 - 01	TRLWS - A - 2 - 4 - 01	35.1
1	2	2 A	Type
1.6 mm	1.6 mm	3.2 mm	Panel Thickness



Part number examples -
 Nylon 6/6 V2 = TRLWS-4-01
 Nylon 6/6 V0 = TRLWS-4-19

Locking Wire Saddle Locking Top | TRWSLT

Type Locking Wire Saddle Locking Top
 Material Nylon 6/6 V2 / TMS 001
 Colour Natural
 Hole Dia & Panel Thickness $\varnothing 4.8 \pm 0.1$ mm* 1.57 mm
 Unit mm
 Standard Pack 1,000 per bag



Part Number	"A"	"B"	"C"	"D"	"E"
TRWSLT - 01A - 01	4.8	10.7	10.6	16.8	25.5
TRWSLT - 01 - 2 - 01	8.8	10.7	14.6	16.8	29.7

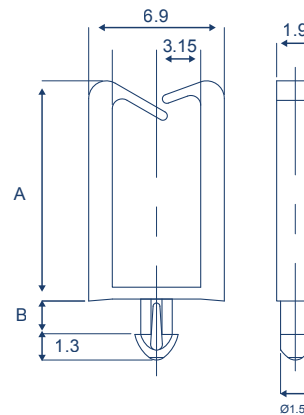


Part number example -
 Nylon 6/6 V2 = TRWSLT-01A-01

Mini Wire Saddle - Teardrop Head | TRMWS

Type Mini Wire Saddle - Teardrop Head
 Material Nylon 6/6 V2 / TMS 001
 Nylon 6/6 V0 / TMS 019
 Colour Natural
 Hole Dia 1.75 ± 0.05 mm
 Unit mm
 Standard Pack 1,000 per bag

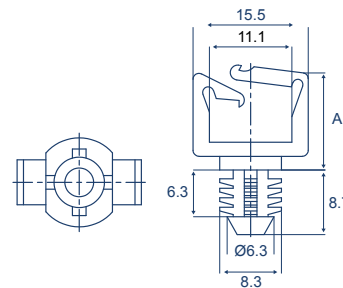
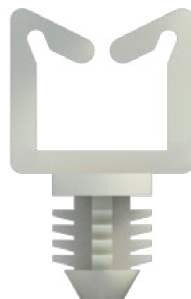
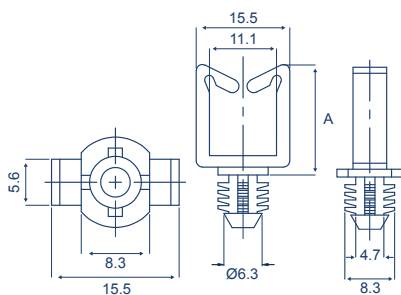
Part Number	"A"	"B"	Panel Thickness
TRMWS - 1 - 01	5.8	1.70	1.57
TRMWS - 2 - 01	11.2	1.70	1.60
TRMWS - 3 - 01	11.2	2.30	2.20
TRMWS - 1 - 1 - 01	5.8	2.45	2.36



Part number examples -
 Nylon 6/6 V2 = TRMWS-1-1-01
 Nylon 6/6 V0 = TRMWS-1-1-19

Mini Wire Saddle - Blind Head | TRWSBH

Type Mini Wire Saddle - Blind Head
 Material Nylon 6/6 V2 / TMS 001
 Colour Natural
 Unit mm
 Standard Pack 1,000 per bag



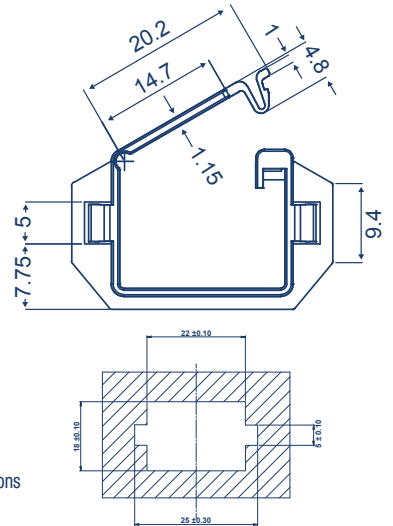
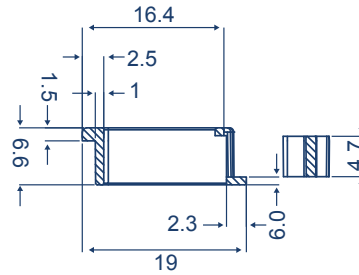
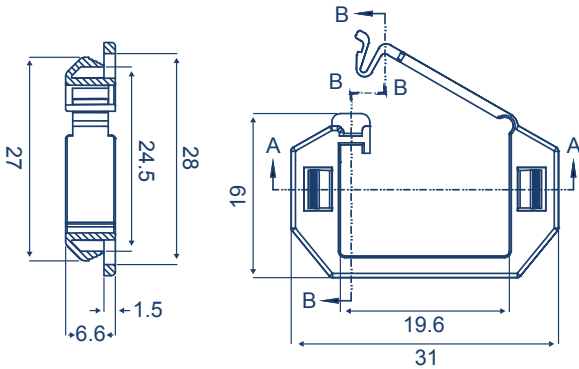
Part Number - Type 1	Part Number - Type 2	"A" ± 0.4
TRWSBH - 1 - 01	TRLWSBH - 1 - 01	13.0
TRWSBH - 2 - 01	TRLWSBH - 2 - 01	18.3
TRWSBH - 3 - 01	TRLWSBH - 3 - 01	27.2
TRWSBH - 4 - 01	TRLWSBH - 4 - 01	35.6
Type	1	2
Hole Dia.	7.9 ± 0.08 mm	7.9 ± 0.08 mm
Panel Thickness	6.4 mm	6.4 mm



Part number example -
 Nylon 6/6 V2 = TRWSBH-4-01

Hinged Edge Wire Saddle-Type 1 - TRHEWSE-22

Type Hinged Edge Wire Saddle
 Material Nylon 6/6 V2 / TMS 001
 Nylon 46 / TMS 999
 Colour Natural / Red
 Unit mm
 Standard Pack 1,000 per bag



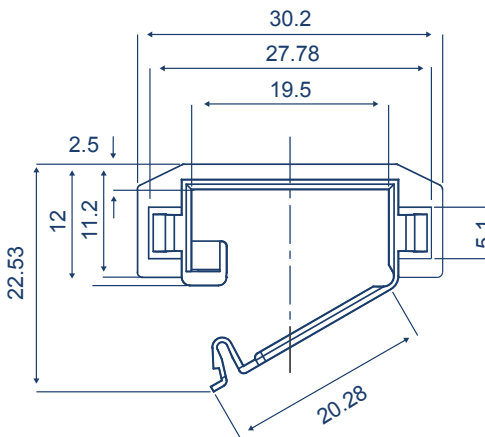
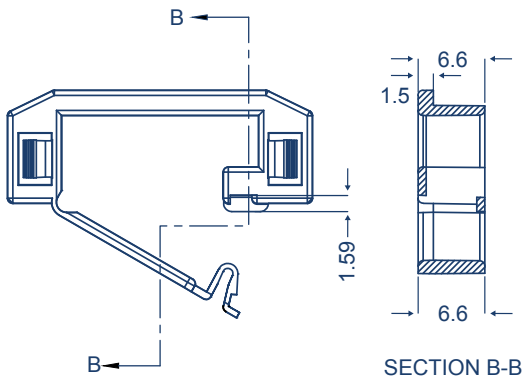
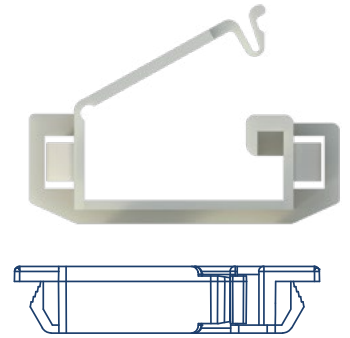
Panel Mounting Instructions



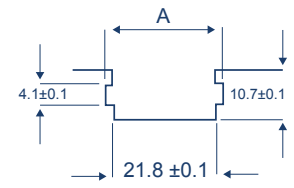
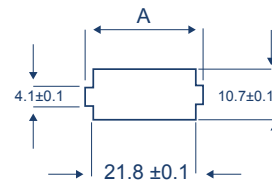
Part number example -
 Nylon 6/6 V2 = TRHEWSE-22-01-N

Hinged Edge Wire Saddle-Type 2 - TRHEWSE-25

Type Hinged Edge Wire Saddle
 Material Nylon 6/6 V2 / TMS 001
 Colour Natural
 Unit mm
 Standard Pack 1,000 per bag



Panel Mounting Instructions	
Panel Thickness	A
08 - 1.6	25.0 ±0.1
2.0	26.0 ±0.1



Through Hole Installation

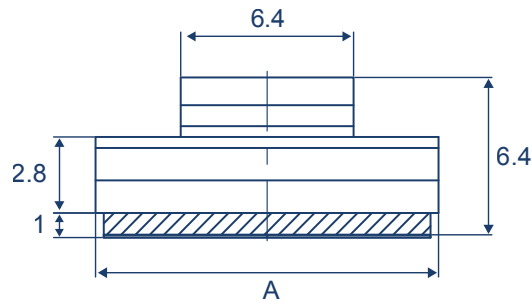
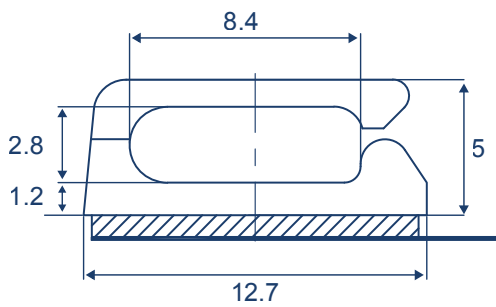
Edge Installation



Part number example -
 Nylon 6/6 V2 = TRHEWSE-25-01

Micro Wire Saddle on Adhesive Base - TRMWSSEBE

Type: Micro Wire Saddle on Adhesive Base
 Material: Nylon 6/6 V2 / TMS 001
 Colour: Natural
 Unit: mm
 Standard Pack: 1,000 per bag



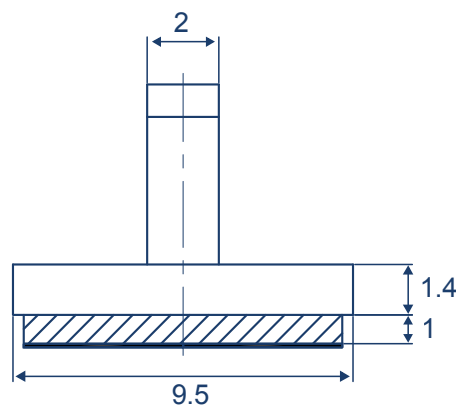
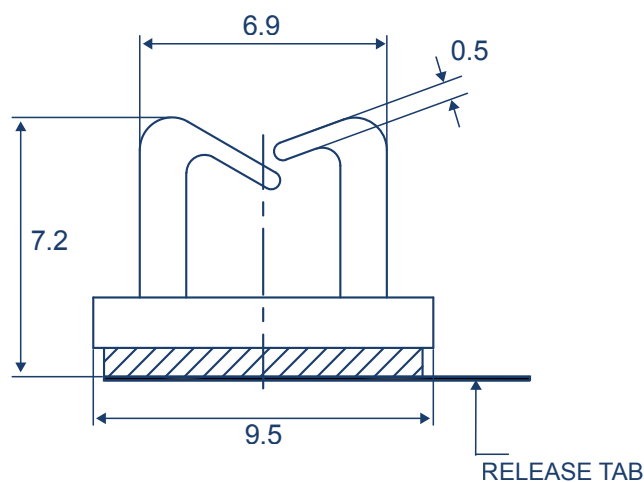
Part Number	"A" ± 0.4	Adhesive Size
TRMWSSEBE - 1 - 01A2 - RT	12.7	12.7x12.7x0.8
TRMWSSEB - 1 - 01A2 - RT	9.5	12.7x9.5x0.8



Part number example -
 Nylon 6/6 V2 = TRMWSSEBE-1-01A2-RT

Micro Wire Saddle on Adhesive Base - TRMWSB

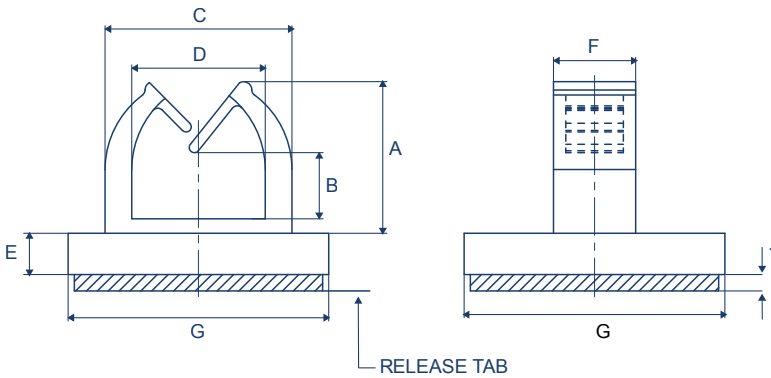
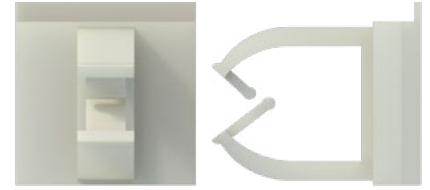
Type: Micro Wire Saddle on Adhesive Base
 Material: Nylon 6/6 V2 / TMS 001
 Colour: Natural
 Unit: mm
 Standard Pack: 1,000 per bag
 Adhesive Size: 9.5x9.5x0.8



Part number example -
 Nylon 6/6 V2 = TRMWSB-1-01A2-RT

Micro Wire Saddle on Adhesive Base - TRMWSEB

Type: Micro Wire Saddle on Adhesive Base
 Material: Nylon 6/6 V2 / TMS 001
 Colour: Natural
 Unit: mm
 Standard Pack: 1,000 per bag



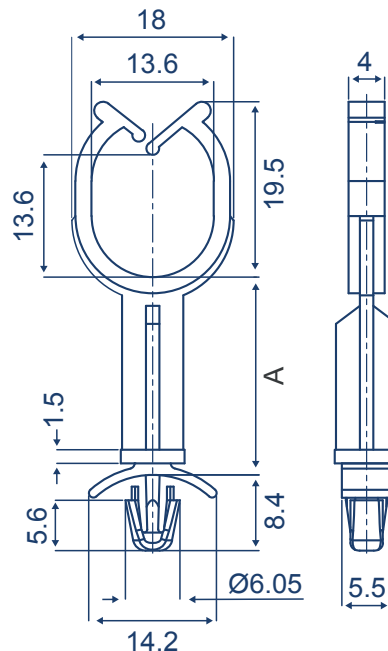
Part Number	Adhesive Size	"A"	"B"	"C"	"D"	"E"	"F"	"G"
TRMWSEB - 1 - 01A2 - RT	9.4x9.4x0.8	4.2	1.0	7.1	4.6	1.5	2.0	9.4
TRMWSEB - 2 - 01A2 - RT		6.0	2.8					
TRMWSEB - 3 - 01A2 - RT	12.7x12.7x0.8	7.4	3.2	9.1	6.4	2.0	4.0	12.7
TRMWSEB - 4 - 01A2 - RT		9.1	4.1	10.7	7.9			
TRMWSEB - 5 - 01A2 - RT		11.3	6.1	11.9	8.9			
TRMWSEB - 6 - 01A2 - RT		12.9	7.6					



Part number example -
 Nylon 6/6 V2 = TRMWSEB-1-01A2-RT

Stand-Off Harness Clip | TRSHK

Type: Stand-off Harness Clip
 Material: Nylon 6/6 V2 / TMS 001
 Nylon 6/6 V0 / TMS 019
 Colour: Natural
 Hole: 4.75 ± 0.05 mm
 Panel Thickness: 1.6 mm
 Unit: mm



Part Number	"A" ± 0.4
TRSHK - 6 - 01	6.0
TRSHK - 8 - 01	8.0
TRSHK - 10 - 01	10.0
TRSHK - 12 - 01	12.0
TRSHK - 14 - 01	14.0
TRSHK - 16 - 01	16.0
TRSHK - 18 - 01	18.0
TRSHK - 20 - 01	20.0
TRSHK - 22 - 01	22.0
TRSHK - 24 - 01	24.0
TRSHK - 26 - 01	26.0
TRSHK - 28 - 01	28.0

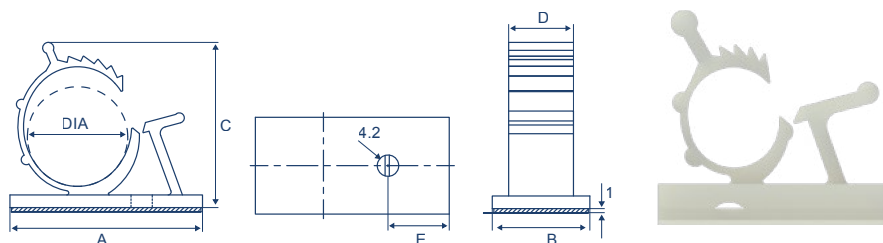


Part number example -
 Nylon 6/6 V2 = TRSHK-28-01
 Nylon 6/6 V0 = TRSHK-28-19

Releaseable Adjustable Clip with Adhesive Base | TRAKKL

Type Adjustable Clip Release
Adhesive Base
Material Nylon 6/6 V2 / TMS 001
Colour Natural
Unit mm
Standard Pack 1,000 per bag

Adjustable to hold various cable diameters
Locks securely and can be re-opened



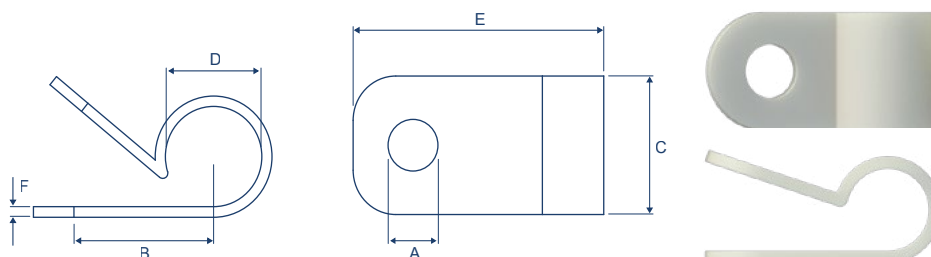
Part Number	Adhesive Size	"A"	"B"	"C"	"D"	"E"	"DIA"
TRAKKL - 2140A4-RT	21.6x16.5x0.8	21.6	16.5	18.0	10.0	8.0	5.5 ~ 6.5
TRAKKL - 3140A4 - RT	25.4x19.0x0.8	25.4	19.1	22.0	10.2	9.0	7.0 ~ 10.3
TRAKKL - 4756A4 - RT	31.5x19.0x0.8	31.5		27.7		10.0	11.9 ~ 14.3
TRAKKL - 5775A4 - RT	38.1x19.0x0.8	38.1		32.8	12.7	12.0	14.7 ~ 19.1
TRAKKL - 8710A4 - RT	50.5x25.0x0.8	50.5	25.4	44.5		16.0	22.2 ~ 25.4



Part number example -
Nylon 6/6 V2 = TRAKKL-3140A4-RT

P Clips | TRUC

Type P Clip
Material Nylon 6/6 V2 / TMS 001
Colour Natural / Black
Unit mm
Standard Pack 100 per bag



Part Number	A	B	C	Bundle Dia. (D)	E	F
TRUC-0	4.8	8.0	9.6	3.2 (1/8")	17.0	1.2
TRUC-0.5		9.2		4.8 (3/16")	18.6	
TRUC-1	4.6	10.0	10.0	6.35 (1/4")	20.0	1.4
TRUC-1.5		12.0		7.9 (5/16")	22.0	
TRUC -2		12.5		9.5 (3/8")	24.0	
TRUC-3	5.0	15.2	12.0	12.7 (1/2")	31.0	1.5
TRUC-4	4.6	18.2	11.8	15.8 (5/8")	34.3	
TRUC-5				19.4 (3/4")	35.0	
TRUC-6		22.0		12.0	25.4 (1")	43.0
TRUC-6.5	24.0	27.5 (1 1/16")	50.0			
TRUC-7	26.2	31.8 (1 1/4")	46.2			
TRUC-9	30.0	36.7 (1 1/2")	50.0			



Part number example -
Nylon 6/6 V2 = TRUC-0.5-Black

The following material specification is used for identification of manufacturers materials and their properties. All data is obtained from the suppliers of raw materials. It does not represent a binding guarantee. TR Fastenings reserve the right to change manufacturer without notice.

The test material according to UL (Underwriter's Laboratories Inc.) allow classification of polymers according to their flame retardance.

With a horizontal and vertical test of fire behaviour under the influence of an open flame. Detailed information on UL, can be downloaded at www.ul.com. The ratings are: UL94 -HB/V2/V1/V0

The temperature ranges of the various materials are guidelines received from the respective raw material manufacturers. It does not represent a binding guarantee. TR Fastenings reserve the right to change manufacturer without notice.

TMS Nr.	Material	UL-File Nr.	UL Classification	RoHS Compliant	Material Temperature Range					
					°C			°F		
001	Nylon 6/6	E70062	V2	Yes	-40	-	85	-4	-	185
003	PC	E45587	HB	Yes	-40	-	115	-40	-	239
008	PP	E63499	HB	Yes	0	-	65	32	-	149
014	POM Acetal	E38860	HB	Yes	-50	-	90	-58	-	194
019	Nylon 6/6	E70062	V0	Yes	-40	-	105	-40	-	221
026	PVC	E54709	V0	Yes	0	-	105	32	-	221
039	POM Acetal	E66288	HB	Yes	-40	-	100	-40	-	212
042	TPR	E80017	HB	Yes	-60	-	135	-76	-	275
052	Nylon 6	E41871	V2	Yes	-40	-	65	-40	-	149
072	PC Polycarbonate	E123529	V2	Yes	-40	-	80	-40	-	176
103	Nylon 66/6	E41871	V0	Yes	-40	-	65	-40	-	149
120	Nylon 6	E119177	V2	Yes	-40	-	152	-40	-	306
158	TPV	E80017	HB	Yes	-50	-	90	-58	-	194
173	Nylon 6 Glass Filled	E76261	HB	Yes	-20	-	140	-4	-	284

RoHS Directives

RoHS (Restriction on Hazardous Substances) refers to the Directive 2002/95/EC of the European Parliament of 27 January 2003 - This directive bans from 1 July 2006, the subsequent use of hazardous substances in electrical and electronic equipment. Lead, mercury, cadmium, hexavalent chromium, polybrominated Biphenyl (PBB), polybrominated biphenyl ethers (PBDEs).

The WEEE (Waste Electronic Equipment) refers to Directive 2002/95/EC of the European Parliament of 27 January 2003. This policy is primarily to avoid the waste of electrical and electronic equipment, as well as their recycling. Please contact us if you need information regarding the RoHS or WEEE.

All data has been provided by the manufacturers of the raw materials available. It does not represent a binding guarantee TR Fastenings reserve right to change manufacturer without notice. TR Fastenings assumes no responsibility. All information (images, drawings, specifications) in this catalogue are not binding commitments and must be checked independently by the user to ensure product is fit for purpose. Technical changes are always reserved.



Nylon (ROHS)

The material used for the moulded products is Nylon. Its many compositions have most of the properties that are required in the electrical/electronic industry such as:

- **Light weight**
- **Strength** at low and high temperature
- **Resistance** to impact, abrasion, organic solvents and gasoline
- **Retention of shape** and stiffness at high temperature
- **Flammability rating**
- Colour: **natural and black**. All other RAL-Colours on request
- **ROHS** - Material suppliers to certify compliance with the Restriction of Hazardous Substances in electrical & electronic products
- **Cost Reduction** where single application plastic part can replace multiple existing parts.
- **Moisture**: Nylon parts are *hygroscopic* (ability to hold water molecules drawn in from its surroundings). Therefore, when injection moulded, nylon parts *retain latent heat* from the manufacturing process and *continue to absorb moisture*
All of our parts have *water added* before being packed in *sealed plastic bags* to ensure the integrity of the material and to prevent the parts from becoming brittle
We strongly recommend continued storage of plastic parts in sealed bags
- **Shelf Life**: All nylon products need be stored in the original, *unopened bag at 22°C to 35°C and 50% relative humidity* If these conditions are met the shelf life will be one year from the date of shipment
- **UL Flame Rating**: UL94 classifications V0, V1, V2 and HB describe the flame retardancy levels for a given resin. V0 rated resins typically have the highest flame resistance followed by V1, V2 and HB
- **Tolerances**: ,xx ± 0,25

Acrylic Adhesive Tape

- **Material Properties**: Excellent surface adhesion, high bond, weatherproof and solvent resistant, superior performance to Rubber based adhesive with less slip at higher temperatures
- **Shelf Life**: The adhesive used has a shelf live of 12 months if stored correctly. Adhesive parts should be stored in the *original bags at room temperature of 22°C to 35°C*
- **Surface**: The bonding surface must be *clean, uniform, dry and free of condensation*
Do not use on *fabric or rough, loose surfaces*
- **Release Tab**: Remove the liner being very careful not to touch the adhesive surface and then quickly and firmly rub the product into place. *Firm pressure* is needed to ensure full contact
- **Tapes are not UL-rated**
- Material temperature range is: *-20°C to +60°C*

Quality

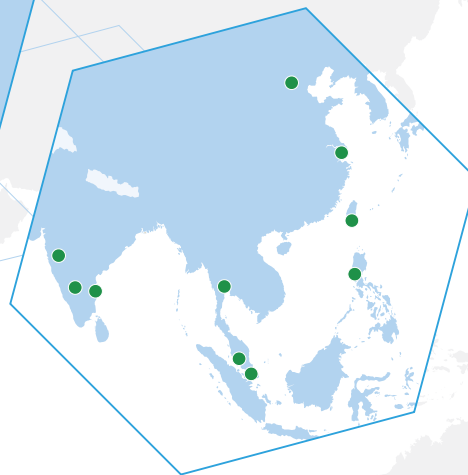
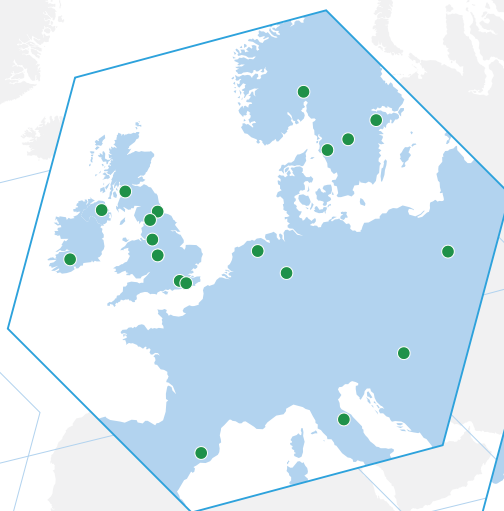
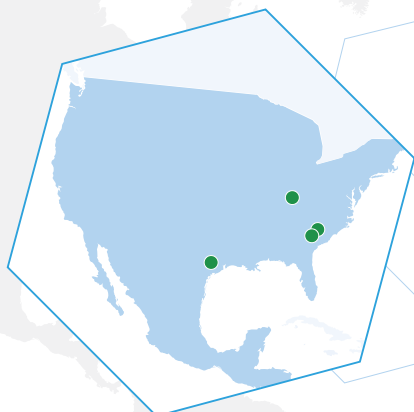
- All material is **ISO 14001/2004** compliant.



Scan to go to our knowledge base

www.trfastenings.com

Where we operate



UK

t: +44 (0)8454 811 800
e-mail: uk@trfastenings.com

Ireland

t: +353 (0)22 22301
e-mail: ireland@trfastenings.com

Netherlands

t: +31 (0)541 511515
e-mail: netherlands@trfastenings.com

Norway

t: +47 67 06 70 00
e-mail: norway@trfastenings.com

Sweden

t: +46 (0)8 578 44 900
e-mail: sweden@trfastenings.com

Spain

t: +34 93 647 22 45
e-mail: spain@trfastenings.com

Hungary

t: +36 30 342 1218
e-mail: hungary@trfastenings.com

Poland - Representative

t: +48 (22)402 36 14
e-mail: poland@trfastenings.com

Italy

t: +39 (0)75 9149015
e-mail: info@trvic.it

Germany

t: +49 (0) 5246 . 50320 - 0
e-mail: info@trkuhlmann.com

USA

Houston - t: +1 800-280-2181
Charlotte - t: +1 704-588-4740
e-mail: usa@trfastenings.com

Singapore

t: +65 6759 6033
e-mail: singapore@trfastenings.com

Malaysia

t: +6 (03) 5519 1444
e-mail: psep@psep.com.my

China

t: +86 21 5032 5696
e-mail: china@trfastenings.com

Taiwan

t: +886 7 557 6366
e-mail: taiwan@trfastenings.com

Philippines - Representative Office

t: +63-25768476
e-mail: philippines@trfastenings.com

India

t: +91 (0)44 4280 3932
e-mail: india@trfastenings.com

Thailand

t: +66(0)2 130 6562
e-mail: thailand@trfastenings.com

Japan - Representative

t: +81(0)70 4467 1118
e-mail: japan@trfastenings.com



Technical & innovation centres

Birmingham - UK

t: +44 (0)121 521 0100
e-mail: wednesbury@trfastenings.com
sales@trfastenings.com

Gothenburg - Sweden

t: +46 (0)31 31 760 776
e-mail: sweden@trfastenings.com
www.trfastenings.com

CUICAR - South Carolina USA

t: +1 800 280 2181
e-mail: usa@trfastenings.com
info@trfastenings.com



Master Distributor Details

