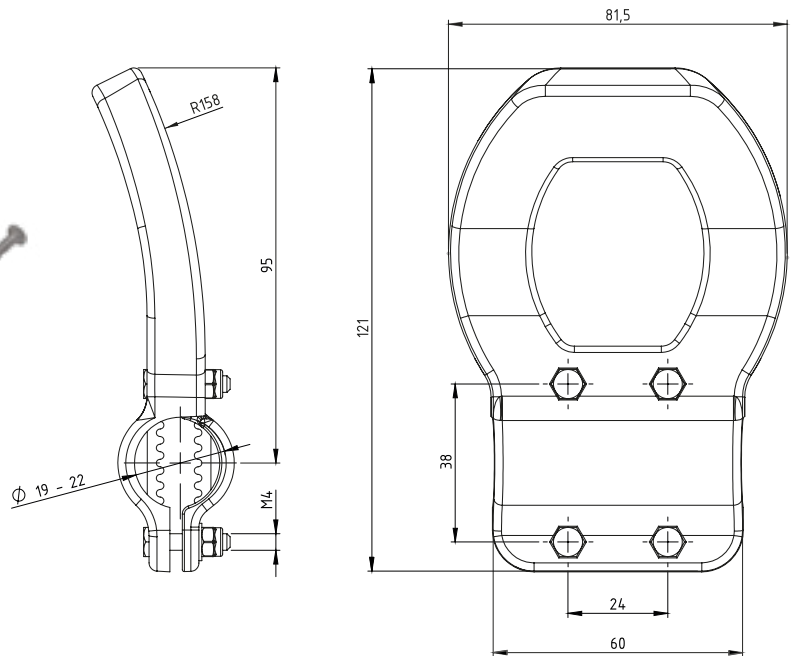


Safety in the Workplace

L-bow Handle - New Hands Free Door Opener



Colours:
Black - Standard
Others - MOQ 1,000



L-bow handle

The L-bow Handle can be retrofitted to an existing compatible door handle and allows the door to be opened "hands free" with your forearm, reducing the risk of direct contact with viruses and bacteria on the door handle.

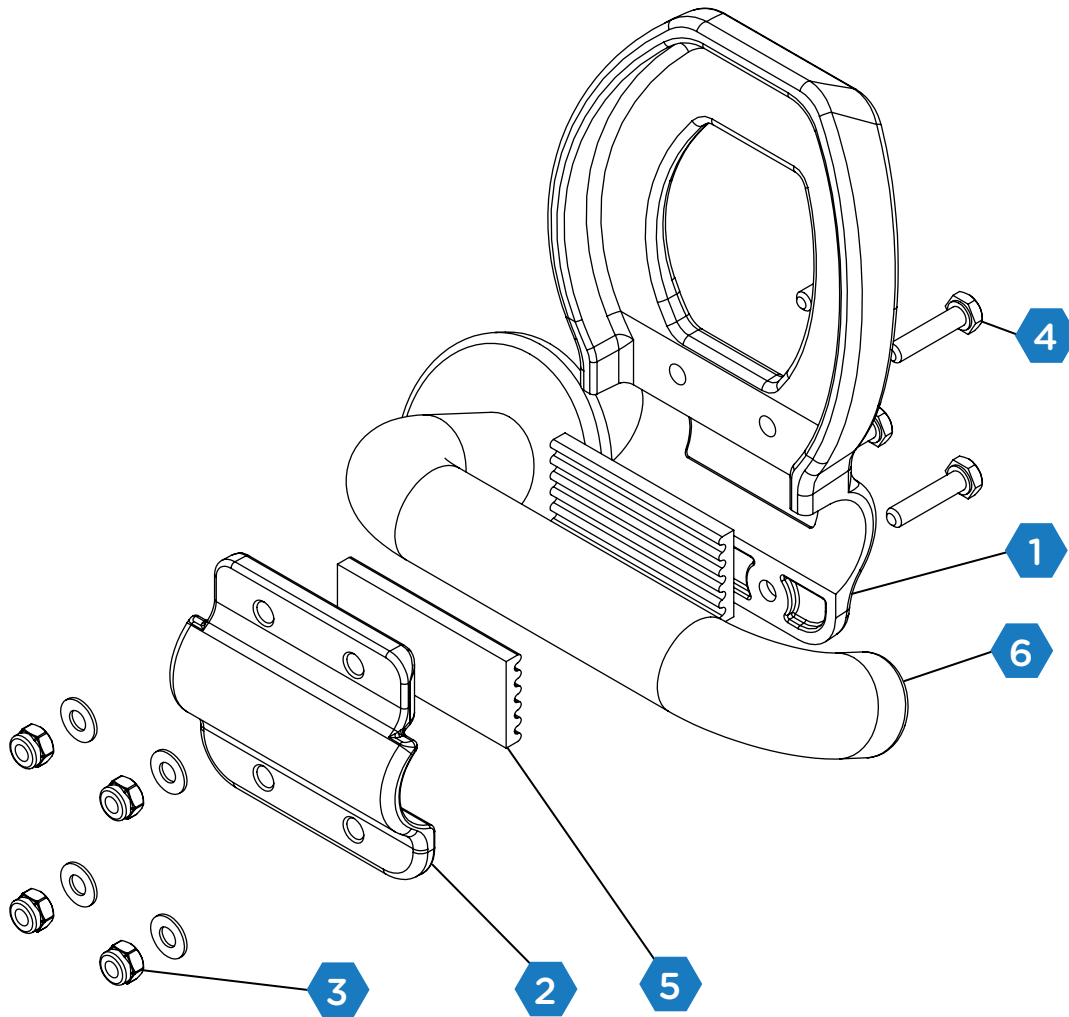
Features & benefits

- Quick and easy to install
- Allows door to be opened with forearm instead of hand
- Works on handles 19mm to 22mm
- Available from stock in black
- Can be manufactured in other colours (minimum 1000)

Components	Material
Door opener part 1	Plastic
Door opener part 2	Plastic
Self-locking nut M4 DIN985	Stainless steel
Washer M4 DIN125	Stainless steel
Hexagonal headed screw M4 DIN933	Stainless steel
Non-slip pad	EPDM

L-bow Handle

Assembly Instructions



Assembly Instructions

(Elements necessary for the assembly: **Flat or socket wrench 7mm**)

1. Clean and degrease the handle **6**
2. On the inside surface of the parts **1** and **2** stick self-adhesive pad **5**
3. Place the door opener **1** on the handle **6** with the front plate facing you
4. Mount the door opener **2** on the handle **6**
5. Pre-tighten the door opener with the screws **3** **4** available in the set
6. Set the position of the door opener against the door (so that the forearm can be freely inserted into the space between the handle and the door)
7. Tighten the screws until the door-opener is fixed