

# CIRCUIT BOARD HARDWARE

**TR Fastenings** is recognised throughout the industry for world class products & services

We manufacture, stock & distribute a vast range of industrial fasteners & components



[www.trfastenings.com](http://www.trfastenings.com)  
[sales@trfastenings.com](mailto:sales@trfastenings.com)  
Edition 5

### Contents

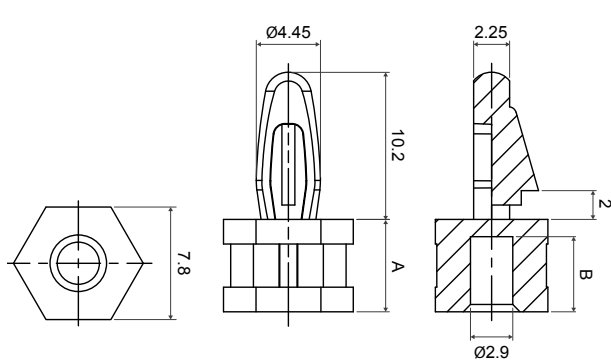
	Page		Page		
	Hex Circuit Board Support TRTCBS	3		Round Dual Locking Support Post TRLMSP	13
	Hex Male Circuit Board Support TRMSCBS/TRSCBS	3		Round Locking Support Post Tear Drop - TRLCBST	14
	Mini Circuit Board Support TRMSCBSM/TRSCBSM	4		Round Non-Threaded Circuit Board Support Post (Cross) TRBHL/TRBHC/ TRBHDL	14 - 15
	Male Mini Circuit Board Support TRMSCBST	5		Locking Support Post (Cross) 1 TRCBS	16
	Round Male Circuit Board Support - TRLCBS-TM	5		Locking Support Post (Cross) TRLCBS/TRLNCBS/TRLCBSM	17 - 18
	Nylon Round Threaded Spacer (Cross) - TRCBS-TMM	6		Mini Push Support Post TRPS/TRPSM	19
	Round Support Post (Cross) TRSP	7		Rivet Locking Support Post (Cross) - TRSRLCBS	19
	Round Mini Support Dual Lock TRDLMSPM/TRDLMSP	8		Dual Locking Support Post (Cross) - TRDLSP	20
	Self Retaining Support Post TRSRS	9		Dual Locking Support Post (Cross) - TRDLCBS	21
	Mini Circuit Board Post TRMSP/TRMSPM	10		Dual Locking Support Post (Cross) - TRDLCBSM	22
	Mini Dual Locking Support Post TRMDLSP3	11		Reverse Locking Circuit Board Support - TRRLCBSK/ TRRLCBSPR/TRRLCBSRS/ TRRLCBSR/TRRCBSR/TRCRLCBSR/ TRCRLCBSRE	22 - 25
	Round Dual Locking Support Post Tear Drop - TRDLCBST	11		Circuit Board Support on Base TRRLCBSR1	25 - 26
	Mini Dual Locking Support Post (Metric) - TRMDLSP/TRMDLSPK	12		Mini Circuit Board Support on Base TRLCBSB/TRLCBSB/TRCBSB	
	Round Push Support Post Tear Drop - TRPST	13		Material Specification	27

# Circuit Board Support

TRTCBS/TRMSCBS/TRSCBS



## Hex Circuit Board Support



Support Post Series

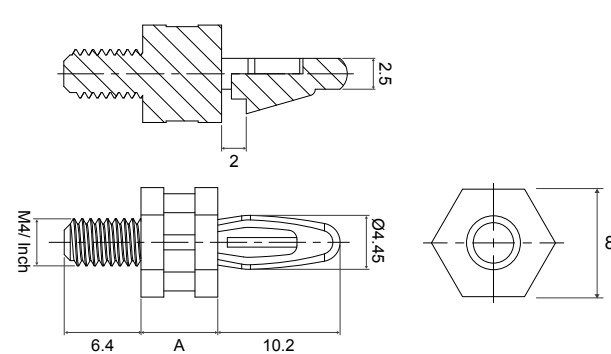
Type Hex Circuit Board Support Post  
 Material Nylon 6/6 V2 / TMS 001 (Natural)  
 Nylon 6/6 V0 / TMS 019 (White)  
 Colour Natural  
 Unit mm  
 Panel Thickness 1.57 mm

Part number example -  
 Nylon 6/6 V2 = TRTCBS-22.5-01  
 Nylon 6/6 V0 = TRTCBS-22.5-19

Top Hole 4.0 ± 0.08  
 Bottom Hole # 6 Self Tapping Screw Type B

Part Number	"A" ± 0.4	"B"
TRTCBS - 4 - 01	6.4	5.2
TRTCBS - 6 - 01	9.5	7.9
TRTCBS - 8 - 01	12.7	7.9
TRTCBS - 10 - 01	15.9	7.9
TRTCBS - 12 - 01	19.1	7.9
TRTCBS - 14 - 01	22.2	7.9
TRTCBS - 16 - 01	25.4	7.9
TRTCBS - 18 - 01	28.6	7.9
TRTCBS - 20 - 01	31.7	7.9
TRTCBS - 22.5 - 01	35.7	7.9

## Hex Male Circuit Board Support



Screw Threaded Series

Type Hex Male Circuit Board Support  
 Styles A Male  
 Material Nylon 6/6 V2 / TMS 001  
 Nylon 6/6 V0 / TMS 019  
 Colour Black / Natural  
 Unit mm  
 Panel Thickness 1.57 mm  
 Top Hole Snap-lock ø 4 ± 0.08 mm  
 Bottom Thickness See chart for thread options

Part number example -  
 Nylon 6/6 V2 = TRMSCBS-22.5-01  
 Nylon 6/6 V0 = TRMSCBS-22.5-19

Part Number	Colour	"A"	"M"
TRMSCBS - 4 - 01	B	N	6.4 M4
TRMSCBS - 6 - 01	B	N	9.5 M4
TRMSCBS - 8 - 01	B	N	12.7 M4
TRMSCBS - 10 - 01	B	N	15.9 M4
TRMSCBS - 12 - 01	B	N	19.1 M4
TRMSCBS - 14 - 01	B	N	22.2 M4
TRMSCBS - 16 - 01	B	N	25.4 M4
TRMSCBS - 18 - 01	B	N	28.6 M4
TRMSCBS - 22.5 - 01	B	N	35.7 M4

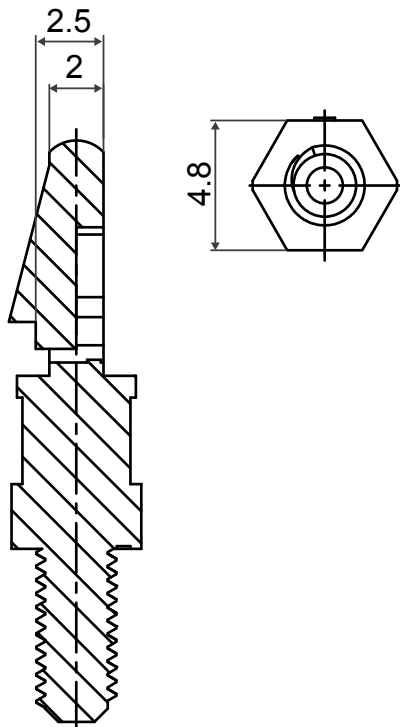
Part Number	Colour	"A"	"Inch"
TRSCBS - 4 - 01	B	N	6.4 #8-32
TRSCBS - 6 - 01	B	N	9.5 #8-32
TRSCBS - 8 - 01	B	N	12.7 #8-32
TRSCBS - 10 - 01	B	N	15.9 #8-32
TRSCBS - 12 - 01	B	N	19.1 #8-32
TRSCBS - 14 - 01	B	N	22.2 #8-32
TRSCBS - 16 - 01	B	N	25.4 #8-32
TRSCBS - 18 - 01	B	N	28.6 #8-32
TRSCBS - 22.5 - 01	B	N	35.7 #8-32

# Circuit Board Support

TRMSCBSM/TRSCBSM



## Mini Circuit Board Support

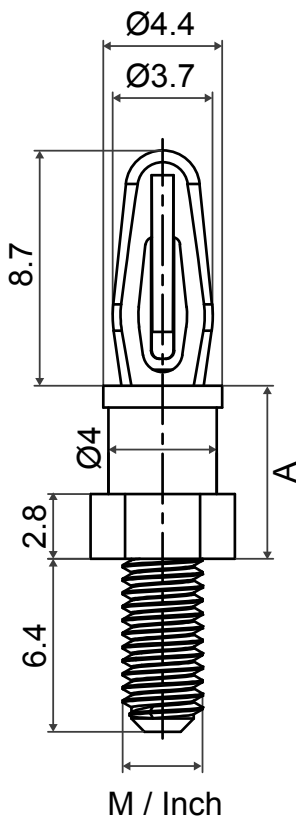


### Screw Threaded Series

Type	Mini Circuit Board Support
Styles	A Male
Material	Nylon 6/6 V2 / TMS 001
Colour	Black / Natural
Unit	mm
Panel Thickness	1.57 mm
Top Hole	Snap-lock $\varnothing 3.18 \pm 0.05$ mm
Bottom Thickness	See chart for thread options

Part number example -

Nylon 6/6 V2 = TRMSCBSM -M4-10-01



Part Number	Colour		"A"	"M"
TRMSCBSM - M3 - 2 - 01	B	N	3.2	M3
TRMSCBSM - M3 - 3 - 01	B	N	4.8	M3
TRMSCBSM - M3 - 4 - 01	B	N	6.4	M3
TRMSCBSM - M3 - 5 - 01	B	N	7.9	M3
TRMSCBSM - M3 - 6 - 01	B	N	9.5	M3
TRMSCBSM - M3 - 7 - 01	B	N	11.1	M3
TRMSCBSM - M3 - 8 - 01	B	N	12.7	M3
TRMSCBSM - M3 - 9 - 01	B	N	14.3	M3
TRMSCBSM - M3 - 10 - 01	B	N	15.9	M3

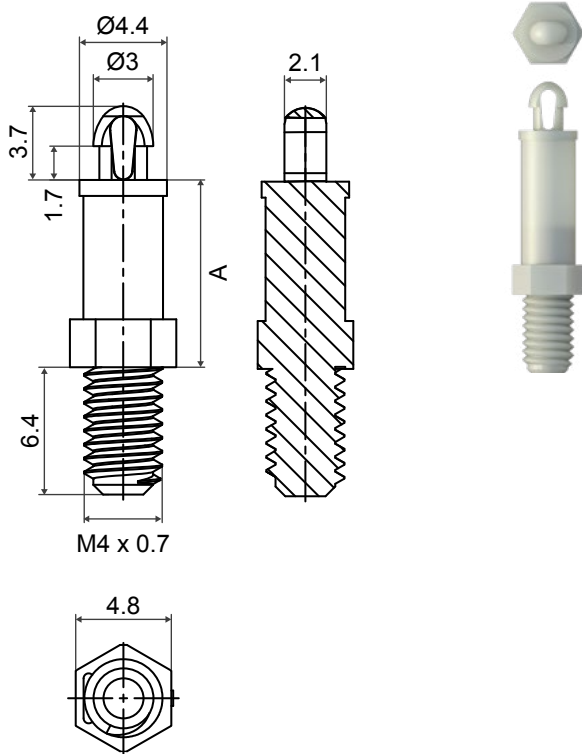
Part Number	Colour		"A"	"M"
TRMSCBSM - M4 - 2 - 01	B	N	3.2	M4
TRMSCBSM - M4 - 3 - 01	B	N	4.8	M4
TRMSCBSM - M4 - 4 - 01	B	N	6.4	M4
TRMSCBSM - M4 - 5 - 01	B	N	7.9	M4
TRMSCBSM - M4 - 6 - 01	B	N	9.5	M4
TRMSCBSM - M4 - 7 - 01	B	N	11.1	M4
TRMSCBSM - M4 - 8 - 01	B	N	12.7	M4
TRMSCBSM - M4 - 9 - 01	B	N	14.3	M4
TRMSCBSM - M4 - 10 - 01	B	N	15.9	M4

Part Number	Colour		"A"	"Inch"
TRSCBSM - 632 - 2 - 01	B	N	3.2	#6-32
TRSCBSM - 632 - 3 - 01	B	N	4.8	#6-32
TRSCBSM - 632 - 4 - 01	B	N	6.4	#6-32
TRSCBSM - 632 - 5 - 01	B	N	7.9	#6-32
TRSCBSM - 632 - 6 - 01	B	N	9.5	#6-32
TRSCBSM - 632 - 7 - 01	B	N	11.1	#6-32
TRSCBSM - 632 - 8 - 01	B	N	12.7	#6-32
TRSCBSM - 632 - 9 - 01	B	N	14.3	#6-32
TRSCBSM - 632 - 10 - 01	B	N	15.9	#6-32

# Circuit Board Support

## TRMSCBST/TRLCBS

### Male Mini Circuit Board Support



#### Screw Threaded Series

Type	Hex Mini Male	Circuit Board
Support	A Male	
Styles	A Male	
Material	Nylon 6/6 V2 / TMS 001	
Colour	Black/Natural	
Unit	mm	
Panel Thickness	1.6 mm	
Top Hole	Snap-lock $\varnothing 2.50 \pm 0.05$ mm	
Bottom Thickness	See chart for thread options	

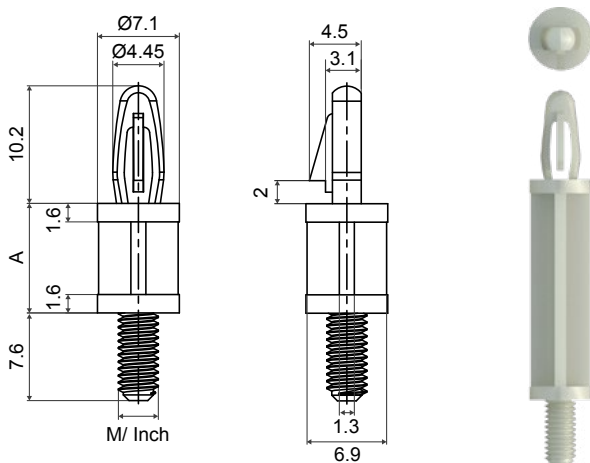
#### Part number example -

Black = TRMSCBST-M4-10-01B

Natural = TRMSCBST-M4-10-01N

Part Number	Colour		"A"	"M"
TRMSCBST - M4 - 2 - 01	B	N	3.2	M4
TRMSCBST - M4 - 3 - 01	B	N	4.8	M4
TRMSCBST - M4 - 4 - 01	B	N	6.4	M4
TRMSCBST - M4 - 5 - 01	B	N	7.9	M4
TRMSCBST - M4 - 6 - 01	B	N	9.5	M4
TRMSCBST - M4 - 7 - 01	B	N	11.1	M4
TRMSCBST - M4 - 8 - 01	B	N	12.7	M4
TRMSCBST - M4 - 9 - 01	B	N	14.3	M4
TRMSCBST - M4 - 10 - 01	B	N	15.9	M4

### Round Male Circuit Board Support



#### Screw Threaded Series

Type	Round Male Circuit Board	Support
Styles	A Male	
Material	Nylon 6/6 V2 / TMS 001	
Colour	Black/Natural	
Unit	mm	
Panel Thickness	1.57 mm	
Top Hole	Snap-lock $\varnothing 4 \pm 0.08$ mm	
Bottom Thickness	See chart for thread options	

#### Part number example -

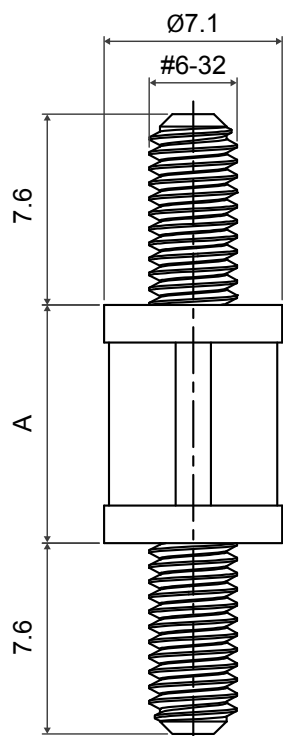
Black = TRLCBS-TM-4-01B

Natural = TRLCBS-TM-4-01N

Part Number	Colour		"A"	"Inch"
TRLCBS - TM - 4 - 01	B	N	6.4	#6-32
TRLCBS - TM - 6 - 01	B	N	9.5	#6-32
TRLCBS - TM - 8 - 01	B	N	12.7	#6-32
TRLCBS - TM - 10 - 01	B	N	15.9	#6-32
TRLCBS - TM - 12 - 01	B	N	19.1	#6-32
TRLCBS - TM - 14 - 01	B	N	22.2	#6-32
TRLCBS - TM - 16 - 01	B	N	25.4	#6-32

Part Number	Colour		"A"	"M"
TRLCBS - TM - M4 - 4 - 01	B	N	6.4	M4
TRLCBS - TM - M4 - 6 - 01	B	N	9.5	M4
TRLCBS - TM - M4 - 8 - 01	B	N	12.7	M4
TRLCBS - TM - M4 - 10 - 01	B	N	15.9	M4
TRLCBS - TM - M4 - 12 - 01	B	N	19.1	M4
TRLCBS - TM - M4 - 14 - 01	B	N	22.2	M4
TRLCBS - TM - M4 - 16 - 01	B	N	25.4	M4

### Nylon Round Threaded Spacer (Cross)



Screw Threaded Series Nylon Round Male/Male Spacer  
 Type Round Circuit Board Supports  
 Styles Male / Male  
 Material Nylon 6/6 V2 / TMS 001  
 Colour Black / Natural  
 Unit mm  
 Bottom Thickness See table for thread size "Inch"

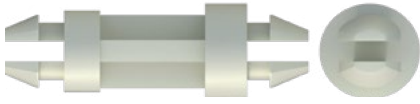
Part number example -  
 Black = TRCBS-TMM-4-01B  
 Natural = TRCBS-TMM-4-01N

Part Number	Colour		"A"	"Inch"
	B	N		
TRCBS-TMM - 4 - 01	B	N	6.4	#6-32
TRCBS-TMM - 6 - 01	B	N	9.5	#6-32
TRCBS-TMM - 8 - 01	B	N	12.7	#6-32
TRCBS-TMM - 10 - 01	B	N	15.9	#6-32
TRCBS-TMM - 12 - 01	B	N	19.1	#6-32
TRCBS-TMM - 14 - 01	B	N	22.2	#6-32
TRCBS-TMM - 16 - 01	B	N	25.4	#6-32

# Support Post Series

TRSP1/TRSP2/TRSP3

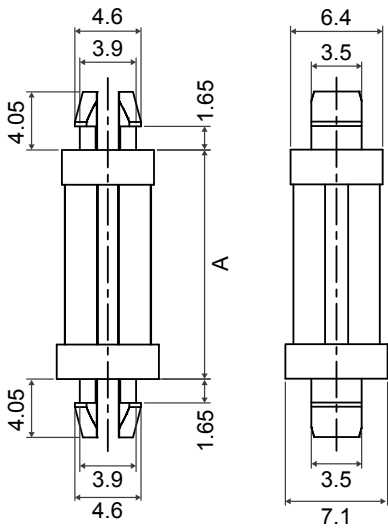
## Round Support Post (Cross)



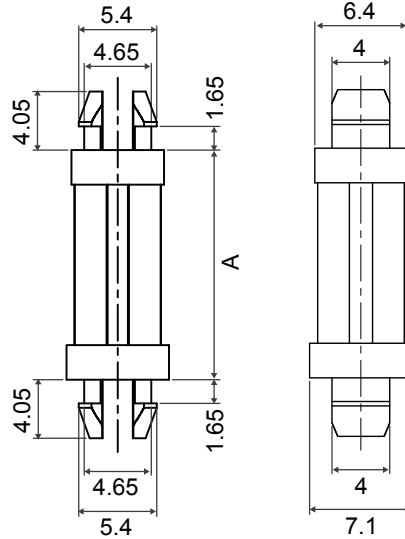
### Support Post Series

Type Round Support Post  
 Material Nylon 6/6 V2 / TMS 001  
 Nylon 6/6 V0 / TMS 019  
 Colour Natural/Black  
 Unit mm  
 Panel Thickness 1.6mm  
 Standard Pack 1,000 per bag

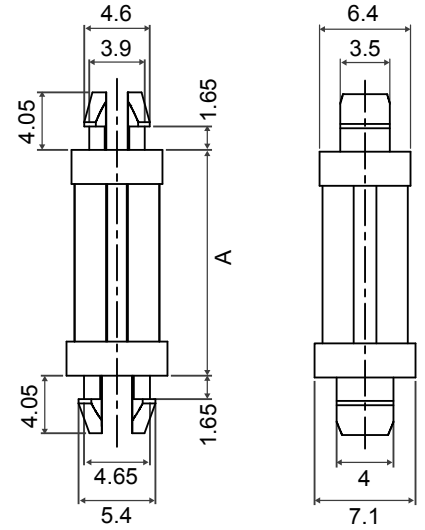
Part number example -  
 Nylon 6/6 V2 = TRSP1-22-01  
 Nylon 6/6 V0 = TRSP1-22-19



Type: 1



Type: 2



Type: 3

Part Number	Colour		"A" ± 0.4
TRSP1 - 3 - 01	N	B	4.8
TRSP1 - 4 - 01	N	B	6.4
TRSP1 - 5 - 01	N	B	7.9
TRSP1 - 6 - 01	N	B	9.5
TRSP1 - 7 - 01	N	B	11.1
TRSP1 - 8 - 01	N	B	12.7
TRSP1 - 9 - 01	N	B	14.3
TRSP1 - 10 - 01	N	B	15.9
TRSP1 - 12 - 01	N	B	19.1
TRSP1 - 14 - 01	N	B	22.2
TRSP1 - 16 - 01	N	B	25.4

Part Number	Colour		"A" ± 0.4
TRSP2 - 3 - 01	N	B	4.8
TRSP2 - 4 - 01	N	B	6.4
TRSP2 - 5 - 01	N	B	7.9
TRSP2 - 6 - 01	N	B	9.5
TRSP2 - 7 - 01	N	B	11.1
TRSP2 - 8 - 01	N	B	12.7
TRSP2 - 9 - 01	N	B	14.3
TRSP2 - 10 - 01	N	B	15.9
TRSP2 - 12 - 01	N	B	19.1
TRSP2 - 14 - 01	N	B	22.2
TRSP2 - 16 - 01	N	B	25.4

Part Number	Colour		"A" ± 0.4
TRSP3 - 3 - 01	N	B	4.8
TRSP3 - 4 - 01	N	B	6.4
TRSP3 - 5 - 01	N	B	7.9
TRSP3 - 6 - 01	N	B	9.5
TRSP3 - 7 - 01	N	B	11.1
TRSP3 - 8 - 01	N	B	12.7
TRSP3 - 9 - 01	N	B	14.3
TRSP3 - 10 - 01	N	B	15.9
TRSP3 - 12 - 01	N	B	19.1
TRSP3 - 14 - 01	N	B	22.2
TRSP3 - 16 - 01	N	B	25.4

Type	Top Hole	Bottom Hole
1	4.0 +/- 0.08	4.0 +/- 0.08

Type	Top Hole	Bottom Hole
2	4.8 +/- 0.08	4.8 +/- 0.08

Type	Top Hole	Bottom Hole
3	4.0 +/- 0.08	4.8 +/- 0.08

# Support Post Series

TRDLMSPM/TRDLMSP



## Round Mini Support Dual Lock



Support Post Series

Type

Material

Colour

Unit

Panel Thickness

Round Mini Support Dual Lock

Nylon 6/6 V2 / TMS 001

Nylon 6/6 V0 / TMS 019

Natural

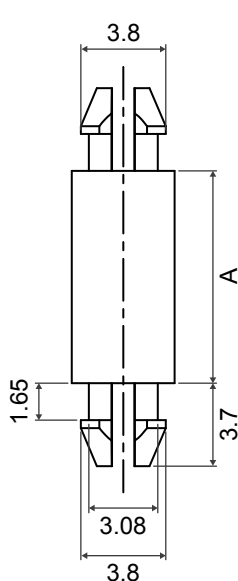
mm

1.6mm

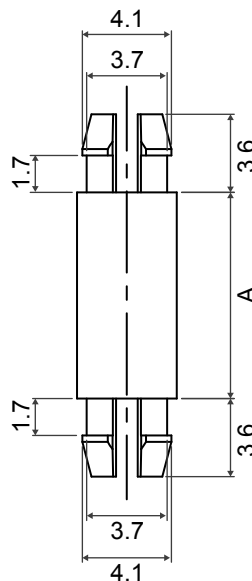
Part number example -

Nylon 6/6 V2 = TRDLMSPM-22-01

Nylon 6/6 V0 = TRDLMSPM-22-19



Type: 1



Type: 2

Part Number	"A" ± 0.4
TRDLMSPM - 2 - 01	3.2
TRDLMSPM - 3 - 01	4.8
TRDLMSPM - 4 - 01	6.4
TRDLMSPM - 5 - 01	7.9
TRDLMSPM - 6 - 01	9.5
TRDLMSPM - 7 - 01	11.1
TRDLMSPM - 8 - 01	12.7
TRDLMSPM - 9 - 01	14.3
TRDLMSPM - 10 - 01	15.9
TRDLMSPM - 11 - 01	17.5
TRDLMSPM - 12 - 01	19.1
TRDLMSPM - 13 - 01	20.6
TRDLMSPM - 14 - 01	22.2
TRDLMSPM - 16 - 01	25.4
TRDLMSPM - 18 - 01	28.6
TRDLMSPM - 20 - 01	31.7
TRDLMSPM - 22 - 01	34.9
TRDLMSPM - 24 - 01	38.1

Part Number	"A" ± 0.4
TRDLMSP - 2 - 01	3.2
TRDLMSP - 3 - 01	4.8
TRDLMSP - 4 - 01	6.4
TRDLMSP - 5 - 01	7.9
TRDLMSP - 6 - 01	9.5
TRDLMSP - 7 - 01	11.1
TRDLMSP - 8 - 01	12.7
TRDLMSP - 9 - 01	14.3
TRDLMSP - 10 - 01	15.9
TRDLMSP - 11 - 01	17.5
TRDLMSP - 12 - 01	19.1
TRDLMSP - 13 - 01	20.6
TRDLMSP - 14 - 01	22.2
TRDLMSP - 16 - 01	25.4
TRDLMSP - 18 - 01	28.6
TRDLMSP - 20 - 01	31.7
TRDLMSP - 22 - 01	34.9
TRDLMSP - 24 - 01	38.1

Type	Top Hole	Bottom Hole
1	3.2 +/- 0.08	3.2 +/- 0.08

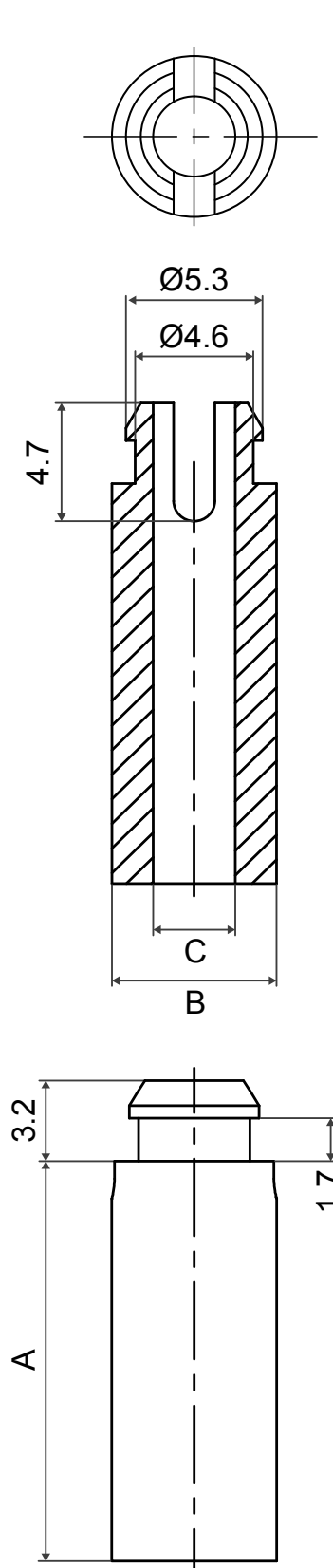
Type	Top Hole	Bottom Hole
2	3.9 +/- 0.08	3.9 +/- 0.08



# Support Post Series

TRRSR4/TRRSR6/TRRSR8

## Self Retaining Support Post



### Support Post Series

Type	Self-Retaining Support Post
Material	Nylon 6/6 V2 / TMS 001 Nylon 6/6 V0 / TMS 019
Colour	Natural
Unit	mm
Panel Thickness	1.6mm
Standard Pack	1,000 per bag

### Part number example -

Nylon 6/6 V2 = TRRSR4-16-01  
Nylon 6/6 V0 = TRRSR4-16-19

### TRRSR4 = For #4 / M3 Screw

Part Number	Hole DIA	"A"	"B"	"C"
TRRSR4 - 2 - 01	4.7	3.2	6.4	3.2
TRRSR4 - 3 - 01		4.8		
TRRSR4 - 4 - 01		6.4		
TRRSR4 - 5 - 01		7.9		
TRRSR4 - 6 - 01		9.5		
TRRSR4 - 7 - 01		11.1		
TRRSR4 - 8 - 01		12.7		
TRRSR4 - 10 - 01		15.9		
TRRSR4 - 12 - 01		19.1		
TRRSR4 - 14 - 01		22.2		
TRRSR4 - 16 - 01		25.4		

### TRRSR6 = For #6 / M3 Screw

Part Number	Hole DIA	"A"	"B"	"C"
TRRSR6 - 4 - 01	5.9	6.4	7.0	3.9
TRRSR6 - 5 - 01		7.9		
TRRSR6 - 6 - 01		9.5		
TRRSR6 - 7 - 01		11.1		
TRRSR6 - 8 - 01		12.7		
TRRSR6 - 10 - 01		15.9		
TRRSR6 - 12 - 01		19.1		
TRRSR6 - 14 - 01		22.2		
TRRSR6 - 16 - 01		25.4		

### TRRSR8 = For #8 / M4 Screw

Part Number	Hole DIA	"A"	"B"	"C"
TRRSR8 - 4 - 01	5.9	6.4	7.0	4.3
TRRSR8 - 5 - 01		7.9		
TRRSR8 - 6 - 01		9.5		
TRRSR8 - 7 - 01		11.1		
TRRSR8 - 8 - 01		12.7		
TRRSR8 - 10 - 01		15.9		
TRRSR8 - 12 - 01		19.1		
TRRSR8 - 14 - 01		22.2		
TRRSR8 - 16 - 01		25.4		

# Support Post Series

TRMSP/TRMSPM



## Mini Circuit Board Post



Support Post Series

Type

Material

Colour

Unit

Panel Thickness

Standard Pack

Mini Circuit Board Post

Nylon 6/6 V2 / TMS 001

Nylon 6/6 V0 / TMS 019

Natural

mm

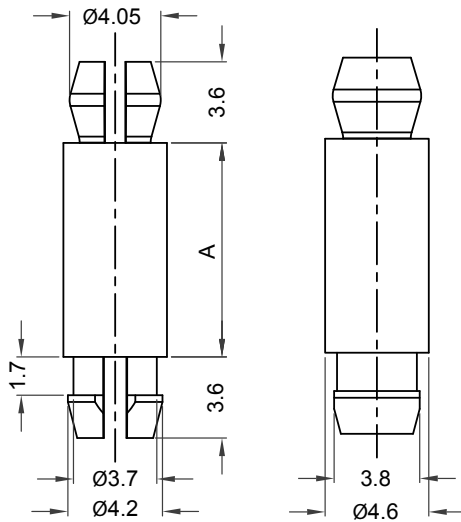
1.6mm

1,000 per bag

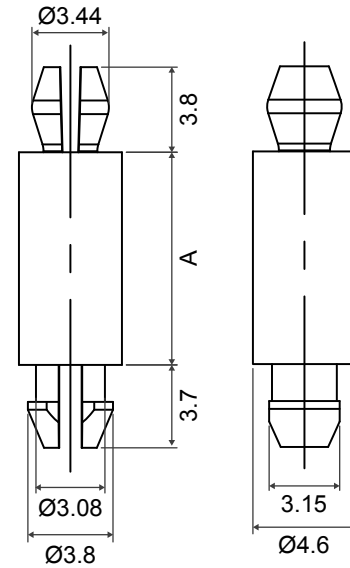
Part number example -

Nylon 6/6 V2 = TRMSP-24-01

Nylon 6/6 V0 = TRMSP-24-19



**Type: 1**



**Type: 2**

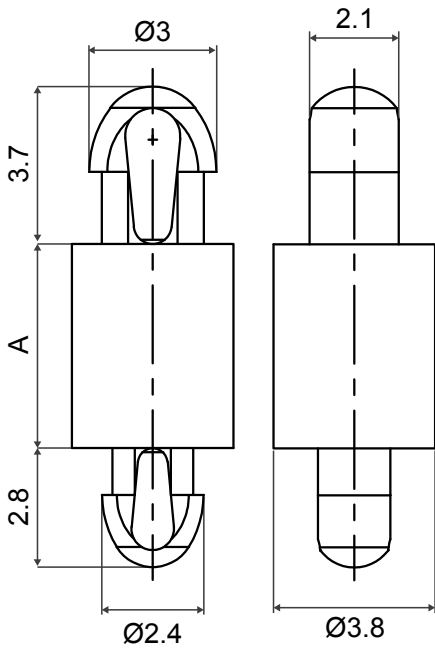
Part Number	"A" ± 0.4
TRMSP - 1 - 01	2.0
TRMSP - 2 - 01	3.2
TRMSP - 3 - 01	4.8
TRMSP - 4 - 01	6.4
TRMSP - 5 - 01	7.9
TRMSP - 6 - 01	9.5
TRMSP - 7 - 01	11.1
TRMSP - 8 - 01	12.7
TRMSP - 9 - 01	14.3
TRMSP - 10 - 01	15.9
TRMSP - 11 - 01	17.5
TRMSP - 12 - 01	19.1
TRMSP - 13 - 01	20.6
TRMSP - 14 - 01	22.2
TRMSP - 16 - 01	25.4
TRMSP - 18 - 01	28.6
TRMSP - 20 - 01	31.7
TRMSP - 22 - 01	34.9
TRMSP - 24 - 01	38.1

Part Number	"A" ± 0.4
TRMSPM - 1 - 01	2.0
TRMSPM - 2 - 01	3.2
TRMSPM - 3 - 01	4.8
TRMSPM - 4 - 01	6.4
TRMSPM - 5 - 01	7.9
TRMSPM - 6 - 01	9.5
TRMSPM - 7 - 01	11.1
TRMSPM - 8 - 01	12.7
TRMSPM - 9 - 01	14.3
TRMSPM - 10 - 01	15.9
TRMSPM - 11 - 01	17.5
TRMSPM - 12 - 01	19.1
TRMSPM - 13 - 01	20.6
TRMSPM - 14 - 01	22.2
TRMSPM - 16 - 01	25.4
TRMSPM - 18 - 01	28.6
TRMSPM - 20 - 01	31.7
TRMSPM - 22 - 01	34.9
TRMSPM - 24 - 01	38.1

Type	Top Hole	Bottom Hole
1	ø 3.86 mm	ø 3.86 mm

Type	Top Hole	Bottom Hole
2	ø 3.2 mm	ø 3.2 mm

## Mini Dual Locking Support Post



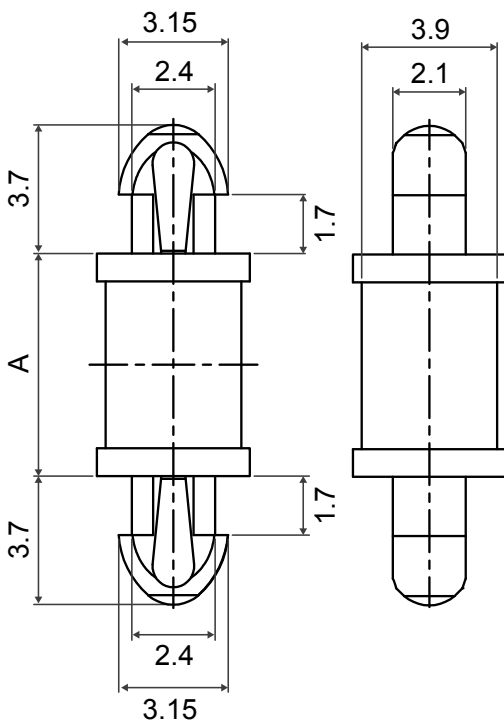
Support Post Series  
 Type Mini Dual Locking Support Post  
 Material Nylon 6/6 V2 / TMS 001  
 Nylon 6/6 V0 / TMS 019  
 Colour Natural  
 Unit mm  
 Standard Pack 1,000 per bag

Part number example -  
 Nylon 6/6 V2 = TRMDLSP3-6-01  
 Nylon 6/6 V0 = TRMDLSP3-6-19

Top Hole 2.5mm +/- 0.05 Panel Thickness 1.6mm  
 Bottom Hole 2.0 +/- 0.05 Panel Thickness 1.0mm

Part Number	"A" ± 0.4
TRMDLSP3 - 1 - 01	1.6
TRMDLSP3 - 2 - 01	3.2
TRMDLSP3 - 3 - 01	4.8
TRMDLSP3 - 4 - 01	6.4
TRMDLSP3 - 5 - 01	7.9
TRMDLSP3 - 6 - 01	9.5

## Round Dual Locking Support Post Tear Drop



Support Post Series  
 Type Round Dual Locking Support Post Tear Drop  
 Material Nylon 6/6 V2 / TMS 001  
 Nylon 6/6 V0 / TMS 019  
 Colour Natural  
 Unit mm  
 Panel Thickness 1.6mm  
 Standard Pack 1,000 per bag

Part number example -  
 Nylon 6/6 V2 = TRDLCBST-14-01  
 Nylon 6/6 V0 = TRDLCBST-14-19

Top and Bottom Hole 2.5mm +/- 0.05

Part Number	"A" ± 0.4
TRDLCBST - 1 - 01	1.6
TRDLCBST - 2 - 01	3.2
TRDLCBST - 3 - 01	4.8
TRDLCBST - 4 - 01	6.4
TRDLCBST - 5 - 01	7.9
TRDLCBST - 6 - 01	9.5
TRDLCBST - 7 - 01	11.1
TRDLCBST - 8 - 01	12.7
TRDLCBST - 9 - 01	14.3
TRDLCBST - 10 - 01	15.9
TRDLCBST - 14 - 01	22.2

# Support Post Series

TRMDLSP1/TRMDLSP2/TRMDLSPK1/TRMDLSPK2



## Mini Dual Locking Support Post (Metric)



Support Post Series

Type

Material

Colour

Unit

Standard Pack

Mini Dual Locking Support Post

Nylon 6/6 V2 / TMS 001

Nylon 6/6 V0 / TMS 019

Natural

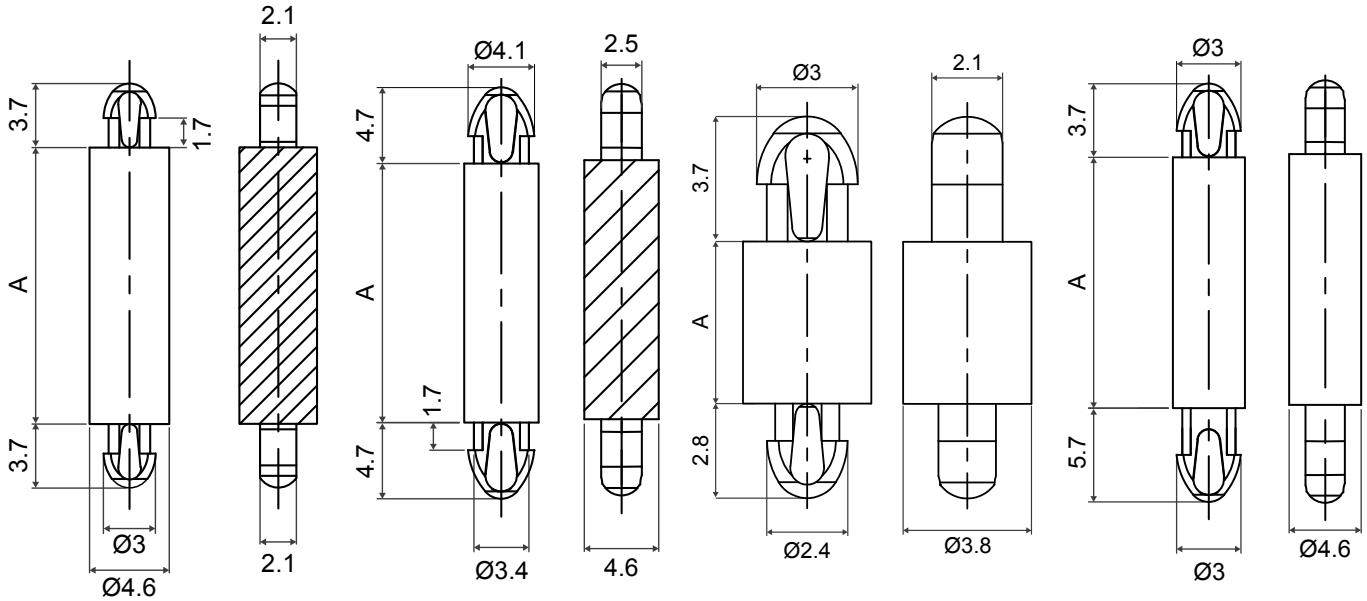
mm

1,000 per bag

Part number example -

Nylon 6/6 V2 = TRMDLSP1-22M-01

Nylon 6/6 V0 = TRMDLSP1-22M-19



1

2

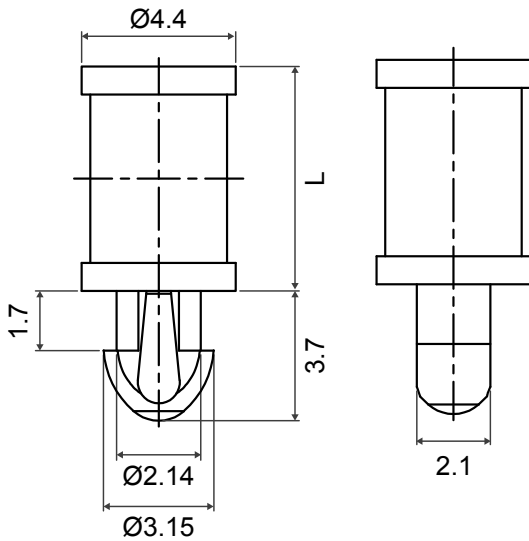
3

4

Part Number	"A" ± 0.4	Part Number	"A" ± 0.4	Part Number	"A" ± 0.4	Part Number	"A" ± 0.4
TRMDLSP1 - 2M - 01	2.0	TRMDLSP2 - 2M - 01	2.0	TRMDLSPK1 - 2M - 01	2.0	TRMDLSPK2 - 2M - 01	2.0
TRMDLSP1 - 3M - 01	3.0	TRMDLSP2 - 3M - 01	3.0	TRMDLSPK1 - 3M - 01	3.0	TRMDLSPK2 - 3M - 01	3.0
TRMDLSP1 - 4M - 01	4.0	TRMDLSP2 - 4M - 01	4.0	TRMDLSPK1 - 4M - 01	4.0	TRMDLSPK2 - 4M - 01	4.0
TRMDLSP1 - 5M - 01	5.0	TRMDLSP2 - 5M - 01	5.0	TRMDLSPK1 - 5M - 01	5.0	TRMDLSPK2 - 5M - 01	5.0
TRMDLSP1 - 6M - 01	6.0	TRMDLSP2 - 6M - 01	6.0	TRMDLSPK1 - 6M - 01	6.0	TRMDLSPK2 - 6M - 01	6.0
TRMDLSP1 - 7M - 01	7.0	TRMDLSP2 - 7M - 01	7.0	TRMDLSPK1 - 7M - 01	7.0	TRMDLSPK2 - 7M - 01	7.0
TRMDLSP1 - 8M - 01	8.0	TRMDLSP2 - 8M - 01	8.0	TRMDLSPK1 - 8M - 01	8.0	TRMDLSPK2 - 8M - 01	8.0
TRMDLSP1 - 9M - 01	9.0	TRMDLSP2 - 9M - 01	9.0	TRMDLSPK1 - 10M - 01	10.0	TRMDLSPK2 - 10M - 01	10.0
TRMDLSP1 - 10M - 01	10.0	TRMDLSP2 - 10M - 01	10.0	TRMDLSPK1 - 12M - 01	12.0	TRMDLSPK2 - 12M - 01	12.0
TRMDLSP1 - 12M - 01	12.0	TRMDLSP2 - 12M - 01	12.0	TRMDLSPK1 - 14M - 01	14.0	TRMDLSPK2 - 14M - 01	14.0
TRMDLSP1 - 14M - 01	14.0	TRMDLSP2 - 14M - 01	14.0	TRMDLSPK1 - 16M - 01	16.0	TRMDLSPK2 - 16M - 01	16.0
TRMDLSP1 - 16M - 01	16.0	TRMDLSP2 - 16M - 01	16.0	TRMDLSPK1 - 18M - 01	18.0	TRMDLSPK2 - 18M - 01	18.0
TRMDLSP1 - 18M - 01	18.0	TRMDLSP2 - 18M - 01	18.0	TRMDLSPK1 - 20M - 01	20.0	TRMDLSPK2 - 20M - 01	20.0
TRMDLSP1 - 20M - 01	20.0	TRMDLSP2 - 20M - 01	20.0	TRMDLSPK1 - 22M - 01	22.0	TRMDLSPK2 - 22M - 01	22.0
TRMDLSP1 - 22M - 01	22.0	TRMDLSP2 - 22M - 01	22.0				

Type	1	Type	2	Type	3	Type	4
Top & Bottom Hole	2.5mm +/- 0.05	Top & Bottom Hole	3.5mm +/- 0.05	Top & Bottom Hole	2.5mm +/- 0.05	Top & Bottom Hole	3.5mm +/- 0.05
Panel Thickness	1.6mm	Panel Thickness	1.6mm	Top Panel Thickness	1.6mm	Top Panel Thickness	1.6mm
				Bottom Panel Thickness	3.6mm	Bottom Panel Thickness	3.6mm

## Round Push Support Post Tear Drop



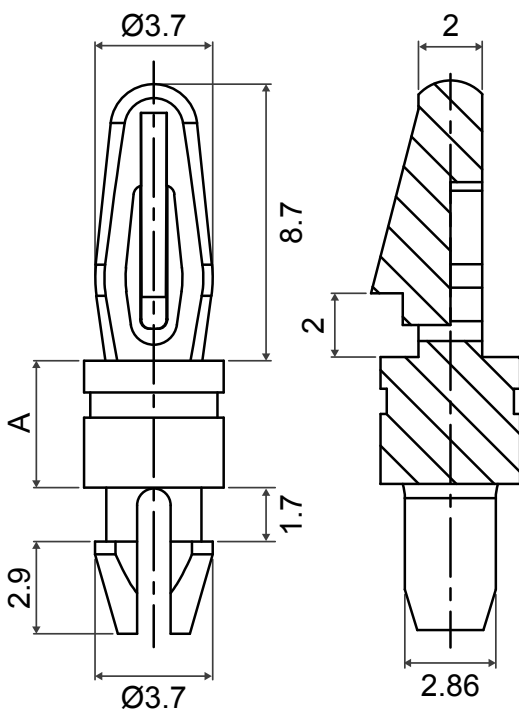
Support Post Series  
Type Round Push Support Post  
Tear Drop  
Material Nylon 6/6 V2 / TMS 001  
Nylon 6/6 V0 / TMS 019  
Colour Natural  
Unit mm  
Standard Pack 1,000 per bag

Part number example -  
Nylon 6/6 V2 = TRPST-10-01  
Nylon 6/6 V0 = TRPST-10-19

Bottom Hole 2.5mm +/- 0.05 Panel Thickness 1.6mm

Part Number	"A" ± 0.4
TRPST - 1 - 01	1.6
TRPST - 2 - 01	3.2
TRPST - 3 - 01	4.8
TRPST - 4 - 01	6.4
TRPST - 5 - 01	7.9
TRPST - 6 - 01	9.5
TRPST - 7 - 01	11.1
TRPST - 8 - 01	12.7
TRPST - 9 - 01	14.3
TRPST - 10 - 01	15.9

## Round Dual Locking Support Post



Support Post Series  
Type Round Dual Locking Support  
Post  
Material Nylon 6/6 V2 / TMS 001  
Nylon 6/6 V0 / TMS 019  
Colour Natural  
Unit mm  
Standard Pack 1,000 per bag

Part number example -  
Nylon 6/6 V2 = TRLMSP-14-01  
Nylon 6/6 V0 = TRLMSP-14-19

Top and Bottom Hole 3.2mm +/- 0.05  
Panel Thickness 1.6mm

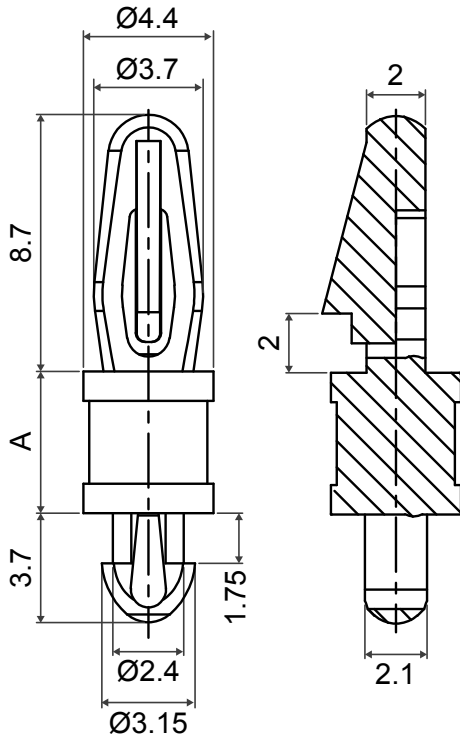
Part Number	"A" ± 0.4
TRLMSP - 2 - 01	3.2
TRLMSP - 3 - 01	4.8
TRLMSP - 4 - 01	6.4
TRLMSP - 5 - 01	7.9
TRLMSP - 6 - 01	9.5
TRLMSP - 7 - 01	11.1
TRLMSP - 8 - 01	12.7
TRLMSP - 9 - 01	14.3
TRLMSP - 10 - 01	15.9
TRLMSP - 12 - 01	19.1
TRLMSP - 14 - 01	22.2

# Support Post Series

TRLCBST/TRBHL/TRBHC



## Round Locking Support Post Tear Drop



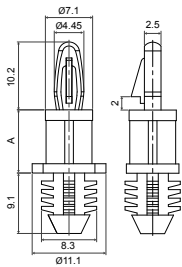
Support Post Series  
Type Round Dual Locking Support Post  
Material Nylon 6/6 V2 / TMS 001  
Colour Natural  
Unit mm  
Panel Thickness 1.6mm  
Standard Pack 1,000 per bag

Part number example -  
Nylon 6/6 V2 = TRLCBST-10-01

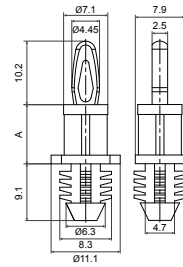
Top Hole 3.2mm +/- 0.05  
Bottom Hole 2.5mm +/- 0.05

Part Number	"A" ± 0.4
TRLCBST - 2 - 01	3.2
TRLCBST - 3 - 01	4.8
TRLCBST - 4 - 01	6.4
TRLCBST - 5 - 01	7.9
TRLCBST - 6 - 01	9.5
TRLCBST - 7 - 01	11.1
TRLCBST - 8 - 01	12.7
TRLCBST - 10 - 01	15.9

## Round Non-Threaded Circuit Board Support Post (Cross)



Type 1



Type 2



Support Post Series  
Type Round Non-Threaded Support Post  
Material Nylon 6/6 V2 / TMS 001  
Nylon 6/6 V0 / TMS 019  
Colour Natural  
Unit mm  
Standard Pack 1,000 per bag

Part number example -  
Nylon 6/6 V2 = TRBHL-14-01  
Nylon 6/6 V0 = TRBHL-14-19

Type 1	
Part Number	"A" ± 0.4
TRBHL - 3 - 01	4.8
TRBHL - 4 - 01	6.4
TRBHL - 6 - 01	9.5
TRBHL - 7 - 01	11.1
TRBHL - 8 - 01	12.7
TRBHL - 10 - 01	15.9
TRBHL - 12 - 01	19.1
TRBHL - 14 - 01	22.2

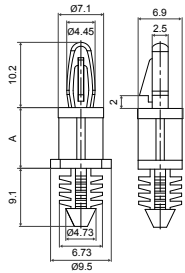
Type 2	
Part Number	"A" ± 0.4
TRBHC - 3 - 01	4.8
TRBHC - 4 - 01	6.4
TRBHC - 6 - 01	9.5
TRBHC - 7 - 01	11.1
TRBHC - 8 - 01	12.7
TRBHC - 10 - 01	15.9
TRBHC - 12 - 01	19.1
TRBHC - 14 - 01	22.2

Top Hole 4.0mm +/-0.05 Panel Thickness 1.6mm  
Bottom Hole 7.9mm +/-0.05 Panel Thickness 6.4mm MIN  
Please note: range continues overleaf

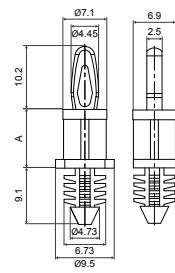
# Support Post Series

TRBHL1/TRBHC1/TRBHDL/TRBHLD1

## Round Non-Threaded Circuit Board Support Post (Cross) continued



Type 3



Type 4



Support Post Series  
Type

Round Non-Threaded Support Post

Material

Nylon 6/6 V2 / TMS 001

Colour

Natural

Unit

mm

Standard Pack

1,000 per bag

Part number example -

Nylon 6/6 V2 = TRBHL1-14-01

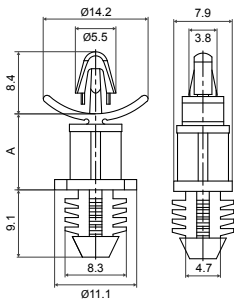
Nylon 6/6 V0 = TRBHL1-14-19

Type 3	
Part Number	"A" ± 0.4
TRBHL1 - 3 - 01	4.8
TRBHL1 - 4 - 01	6.4
TRBHL1 - 6 - 01	9.5
TRBHL1 - 7 - 01	11.1
TRBHL1 - 8 - 01	12.7
TRBHL1 - 10 - 01	15.9
TRBHL1 - 12 - 01	19.1
TRBHL1 - 14 - 01	22.2

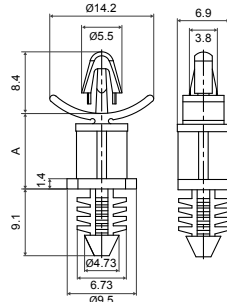
Type 4	
Part Number	"A" ± 0.4
TRBHC1 - 3 - 01	4.8
TRBHC1 - 4 - 01	6.4
TRBHC1 - 6 - 01	9.5
TRBHC1 - 7 - 01	11.1
TRBHC1 - 8 - 01	12.7
TRBHC1 - 10 - 01	15.9
TRBHC1 - 12 - 01	19.1
TRBHC1 - 14 - 01	22.2

Top Hole  $\varnothing 4.0 \pm 0.08$  mm Panel Thickness 1.57 mm

Bottom Hole  $\varnothing 6.35 \pm 0.08$  mm Panel Thickness 6.4 mm MIN



Type 5



Type 6



Support Post Series  
Type

Round Non-Threaded Support Post

Material

Nylon 6/6 V2 / TMS 001

Colour

Nylon 6/6 V0 / TMS 019

Unit

mm

Standard Pack

1,000 per bag

Part number example -

Nylon 6/6 V2 = TRBHDL-14-01

Nylon 6/6 V0 = TRBHDL-14-19

Type 5	
Part Number	"A" ± 0.4
TRBHDL - 4 - 01	6.4
TRBHDL - 6 - 01	9.5
TRBHDL - 8 - 01	12.7
TRBHDL - 10 - 01	15.9
TRBHDL - 12 - 01	19.1
TRBHDL - 14 - 01	22.2

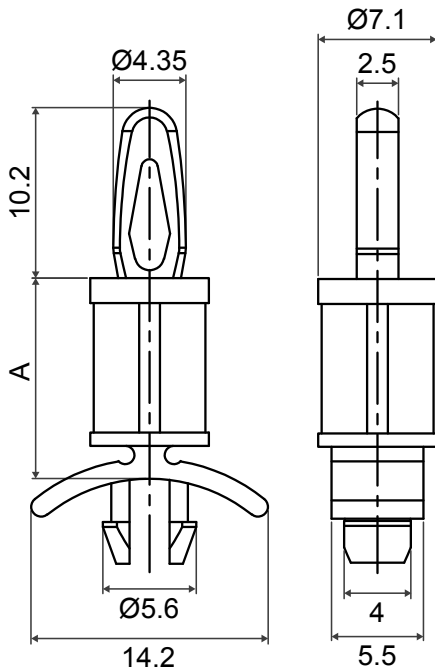
Type	5
Top Hole	$\varnothing 4.0 \pm 0.08$ mm
Top Panel Thickness	0.79 ~ 1.98 mm
Bottom Hole	$\varnothing 7.92 \pm 0.08$ mm
Bottom Panel Thickness	6.4 mm MIN

Type 6	
Part Number	"A" ± 0.4
TRBHDL1 - 4 - 01	6.4
TRBHDL1 - 6 - 01	9.5
TRBHDL1 - 8 - 01	12.7
TRBHDL1 - 10 - 01	15.9
TRBHDL1 - 12 - 01	19.1
TRBHDL1 - 14 - 01	22.2

Type	6
Top Hole	$\varnothing 4.0 \pm 0.08$ mm
Top Panel Thickness	0.79 ~ 1.98 mm
Bottom Hole	$\varnothing 6.35 \pm 0.08$ mm
Bottom Panel Thickness	6.4 mm MIN

## Locking Support Post (Cross) 1



### Support Post Series

Type	Locking Support Post
Material	Nylon 6/6 V2 / TMS 001 Nylon 6/6 V0 / TMS 019
Colour	Natural
Unit	mm
Standard Pack	1,000 per bag

### Part number example -

Nylon 6/6 V2 = TRCBS-14-01

Nylon 6/6 V0 = TRCBS-14-19

Top Hole  $\text{Ø} 4.75 \pm 0.08$  mm Panel Thickness 0.79 ~ 1.98 mm

Bottom Hole  $\text{Ø} 4.0 \pm 0.08$  mm Panel Thickness 1.57 mm

Part Number	"A" $\pm 0.4$
TRCBS - 3 - 01	4.8
TRCBS - 4 - 01	6.4
TRCBS - 6 - 01	9.5
TRCBS - 8 - 01	12.7
TRCBS - 10 - 01	15.9
TRCBS - 12 - 01	19.1
TRCBS - 14 - 01	22.2



# Support Post Series

TRLCBS/TRLCBS2/TRLCBS3

## Locking Support Post (Cross)



### Support Post Series

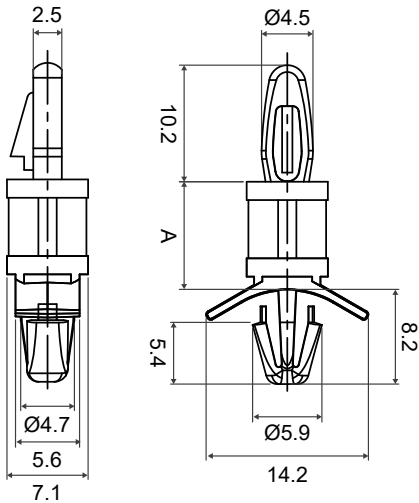
Type  
Material

Colour  
Unit  
Standard Pack

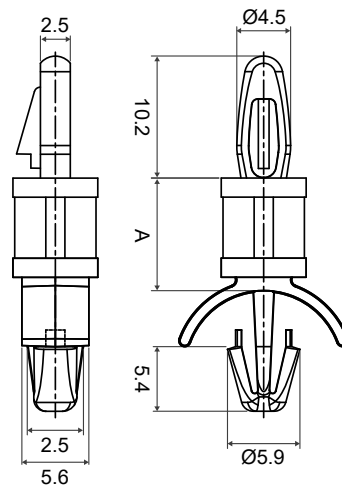
Locking Support Post  
Nylon 6/6 V2 / TMS 001  
Nylon 6/6 V0 / TMS 019  
Natural  
mm  
1,000 per bag

### Part number example -

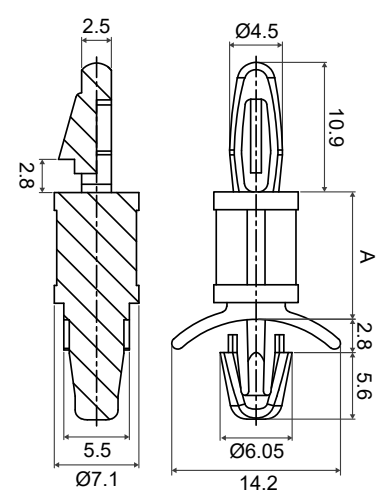
Nylon 6/6 V2 = TRLCBS-22-01  
Nylon 6/6 V0 = TRLCBS-22-19



Type 1 - "B" = 2.8



Type 2 - "B" = 4.6



Type 3 - "B" = 2.8

Part Number	"A" ± 0.4
TRLCBS - 3 - 01	4.8
TRLCBS - 4 - 01	6.4
TRLCBS - 5 - 01	7.9
TRLCBS - 6 - 01	9.5
TRLCBS - 7 - 01	11.1
TRLCBS - 8 - 01	12.7
TRLCBS - 10 - 01	15.9
TRLCBS - 12 - 01	19.1
TRLCBS - 14 - 01	22.2
TRLCBS - 16 - 01	25.4
TRLCBS - 18 - 01	28.6
TRLCBS - 20 - 01	31.7
TRLCBS - 22 - 01	34.9

Part Number	"A" ± 0.4
TRLCBS2 - 3 - 01	4.8
TRLCBS2 - 4 - 01	6.4
TRLCBS2 - 5 - 01	7.9
TRLCBS2 - 6 - 01	9.5
TRLCBS2 - 7 - 01	11.1
TRLCBS2 - 8 - 01	12.7
TRLCBS2 - 10 - 01	15.9
TRLCBS2 - 12 - 01	19.1
TRLCBS2 - 14 - 01	22.2
TRLCBS2 - 16 - 01	25.4
TRLCBS2 - 18 - 01	28.6
TRLCBS2 - 20 - 01	31.7
TRLCBS2 - 22 - 01	34.9

Part Number	"A" ± 0.4
TRLCBS3 - 3 - 01	4.8
TRLCBS3 - 4 - 01	6.4
TRLCBS3 - 5 - 01	7.9
TRLCBS3 - 6 - 01	9.5
TRLCBS3 - 7 - 01	11.1
TRLCBS3 - 8 - 01	12.7
TRLCBS3 - 10 - 01	15.9
TRLCBS3 - 12 - 01	19.1
TRLCBS3 - 14 - 01	22.2
TRLCBS3 - 16 - 01	25.4
TRLCBS3 - 18 - 01	28.6
TRLCBS3 - 20 - 01	31.7
TRLCBS3 - 22 - 01	34.9

Type	1
Top Hole	ø 4.75 ± 0.08 mm
Top Panel Thickness	0.79 ~ 1.98 mm
Bottom Hole	ø 4.0 ± 0.08 mm
Bottom Panel Thickness	1.57 mm

Type	2
Top Hole	ø 4.75 ± 0.08 mm
Top Panel Thickness	1.98 ~ 3.56 mm
Bottom Hole	ø 4.0 ± 0.08 mm
Bottom Panel Thickness	1.57 mm

Type	3
Top Hole	ø 4.75 ± 0.08 mm
Top Panel Thickness	0.79 ~ 1.98 mm
Bottom Hole	ø 4.0 ± 0.08 mm
Bottom Panel Thickness	2.36 mm

# Support Post Series

TRLNCBS/TRLCBS8/TRLCBSM



## Locking Support Post (Cross)

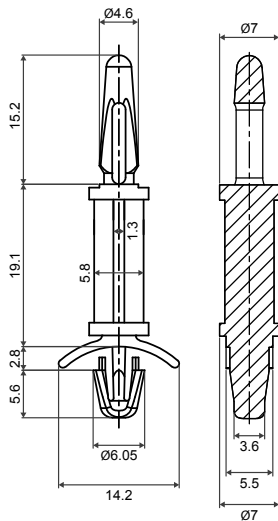


### Support Post Series

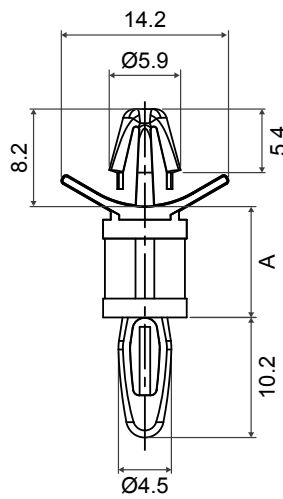
Type	Locking Support Post
Material	Nylon 6/6 V2 / TMS 001 Nylon 6/6 V0 / TMS 019
Colour	Natural
Unit	mm
Standard Pack	1,000 per bag

### Part number example -

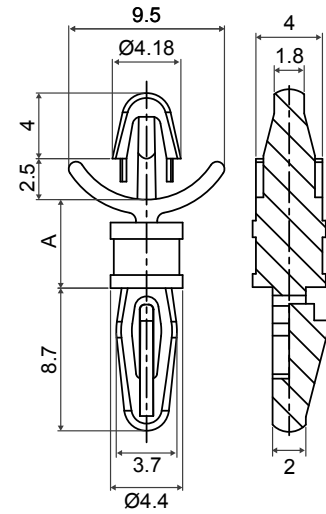
Nylon 6/6 V2 = TRLCBS-22-01  
Nylon 6/6 V0 = TRLCBS-22-19



Type 4 - "B" = 2.8



Type 5 - "B" = 2.0



Type 6 - "B" = 2.5

Part Number	"A" ± 0.4
TRLNCBS - 3 - 01	4.8
TRLNCBS - 4 - 01	6.4
TRLNCBS - 6 - 01	9.5
TRLNCBS - 8 - 01	12.7
TRLNCBS - 10 - 01	15.9
TRLNCBS - 12 - 01	19.1
TRLNCBS - 14 - 01	22.2

Part Number	"A" ± 0.4
TRLCBS8 - 3 - 01	4.8
TRLCBS8 - 4 - 01	6.4
TRLCBS8 - 5 - 01	7.9
TRLCBS8 - 6 - 01	9.5
TRLCBS8 - 7 - 01	11.1
TRLCBS8 - 8 - 01	12.7
TRLCBS8 - 10 - 01	15.9
TRLCBS8 - 12 - 01	19.1
TRLCBS8 - 14 - 01	22.2
TRLCBS8 - 16 - 01	25.4
TRLCBS8 - 18 - 01	28.6
TRLCBS8 - 20 - 01	31.7
TRLCBS8 - 22 - 01	34.9

Part Number	"A" ± 0.4
TRLCBSM - 2 - 01	3.2
TRLCBSM - 3 - 01	4.8
TRLCBSM - 4 - 01	6.4
TRLCBSM - 5 - 01	7.9
TRLCBSM - 6 - 01	9.5
TRLCBSM - 7 - 01	11.1
TRLCBSM - 8 - 01	12.7
TRLCBSM - 9 - 01	14.3
TRLCBSM - 10 - 01	15.9

Type	4
Top Hole	ø 4.0 ± 0.08 mm
Top Panel Thickness	1.6 mm
Bottom Hole	ø 4.75 ± 0.08 mm
Bottom Panel Thickness	0.79 ~ 1.98 mm

Type	5
Top Hole	ø 4.75 ± 0.08 mm
Top Panel Thickness	0.2 ~ 1.4 mm
Bottom Hole	ø 4.0 ± 0.08 mm
Bottom Panel Thickness	1.57 mm

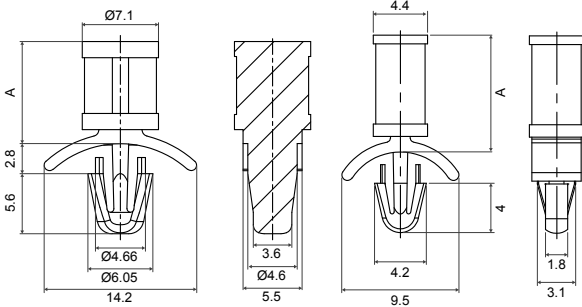
Type	6
Top Hole	ø 3.18 ± 0.05 mm
Top Panel Thickness	1.57 mm
Bottom Hole	ø 3.18 ± 0.05 mm
Bottom Panel Thickness	0.79 ~ 1.98 mm

# Support Post Series

TRPS/TRPSM/TRSRLCBS

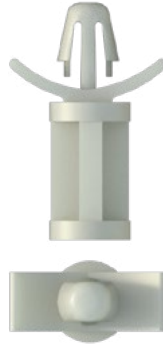


## Mini Push Support Post



Type: 1

Type: 2



Support Post Series

Type: Mini Push Support Post  
 Material: Nylon 6/6 V2 / TMS 001  
 Nylon 6/6 V0 / TMS 019  
 Colour: Natural  
 Unit: mm  
 Standard Pack: 1,000 per bag

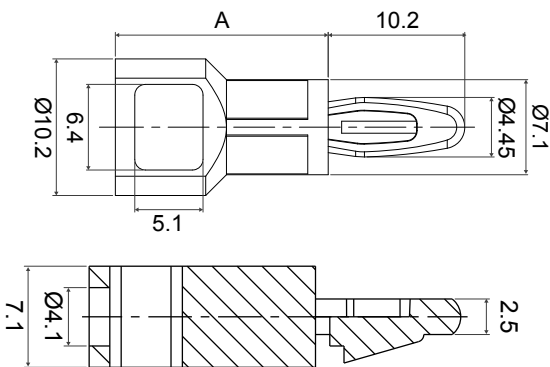
Part number example -  
 Nylon 6/6 V2 = TRPS-14-01  
 Nylon 6/6 V0 = TRPS-14-19

TRPS (Type 1) = Hole  $\varnothing$  4.75  $\pm$  0.08 mm  
 Panel Thickness 0.79 ~ 1.98 mm  
 TRPSM (Type 2) = Hole  $\varnothing$  3.18  $\pm$  0.05 mm  
 Panel Thickness 0.79 ~ 1.98 mm

Type 1	
Part Number	"A" $\pm$ 0.4
TRPS - 3 - 01	4.8
TRPS - 4 - 01	6.4
TRPS - 5 - 01	7.9
TRPS - 6 - 01	9.5
TRPS - 7 - 01	11.1
TRPS - 8 - 01	12.7
TRPS - 10 - 01	15.9
TRPS - 12 - 01	19.1
TRPS - 14 - 01	22.2

Type 2	
Part Number	"A" $\pm$ 0.4
TRPSM - 2 - 01	3.2
TRPSM - 3 - 01	4.8
TRPSM - 4 - 01	6.4
TRPSM - 5 - 01	7.9
TRPSM - 6 - 01	9.5
TRPSM - 7 - 01	11.1
TRPSM - 8 - 01	12.7
TRPSM - 9 - 01	14.3
TRPSM - 10 - 01	15.9

## Rivet Locking Support Post (Cross)



Support Post Series

Type: Rivet Locking Support Post  
 Material: Nylon 6/6 V2 / TMS 001  
 Nylon 6/6 V0 / TMS 019  
 Colour: Natural  
 Top Hole: 4.0  $\pm$  0.08 mm  
 Panel Thickness: 1.6 mm  
 Bottom Hole: 4.1 ~ 4.2 mm  
 Bottom Panel Thickness: See Rivet table  
 Unit: mm  
 Standard Pack: 1,000 per bag

Part number example -  
 Nylon 6/6 V2 = TRSRLCBS-16-01  
 Nylon 6/6 V0 = TRSRLCBS-16-19

Part Number	"A" $\pm$ 0.4
TRSRLCBS - 6 - 01	9.5
TRSRLCBS - 7 - 01	11.1
TRSRLCBS - 8 - 01	12.7
TRSRLCBS - 10 - 01	15.9
TRSRLCBS - 12 - 01	19.1
TRSRLCBS - 14 - 01	22.2
TRSRLCBS - 16 - 01	25.4

Matching Rivet Part Number	Thickness
TRSR4050	0.7 ~ 1.6
TRSR4060	1.6 ~ 2.7
TRSR4070	2.7 ~ 3.7
TRSR4080	3.7 ~ 4.7
TRSR4090	5.7 ~ 6.7

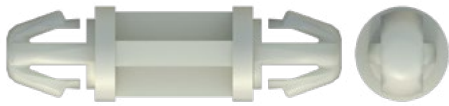
TRSRLCBS = Top Hole  $\varnothing$  4.0  $\pm$  0.08 mm Panel Thickness 1.6 mm Bottom Hole 4.1 ~ 4.2 mm  
 Matching Rivet = Top Hole  $\varnothing$  4.0  $\pm$  0.08 mm Panel Thickness 1.6 mm Bottom Hole 4.1 ~ 4.2 mm

# Support Post Series

TRDSLSP1/TRDSLSP2/TRDSLSP3



## Dual Locking Support Post (Cross)



Support Post Series

Type

Material

Colour

Unit

Standard Pack

Dual Locking Support Post

Nylon 6/6 V2 / TMS 001

Nylon 6/6 V0 / TMS 019

Natural

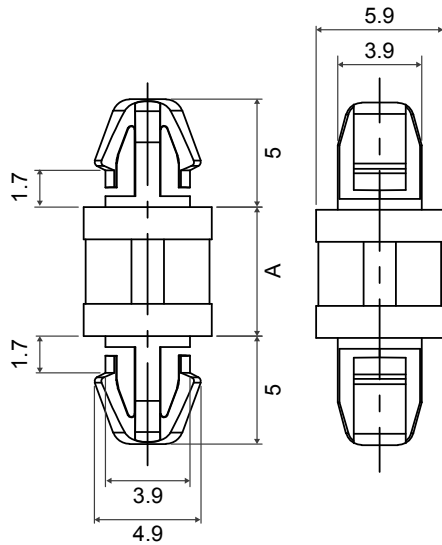
mm

1,000 per bag

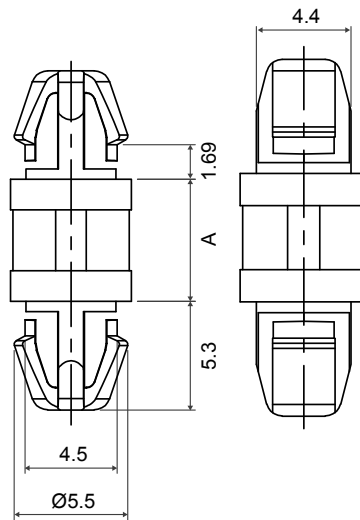
Part number example -

Nylon 6/6 V2 = TRDSLSP1-18M-01

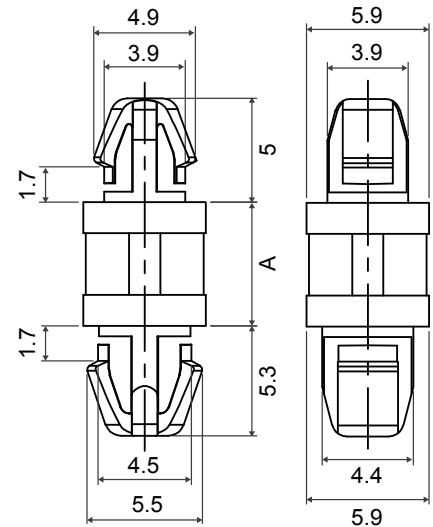
Nylon 6/6 V0 = TRDSLSP1-18M-19



Type: 1



Type: 2



Type: 3

Part Number	"A" ± 0.4
TRDSLSP1 - 3M - 01	3.0
TRDSLSP1 - 4M - 01	4.0
TRDSLSP1 - 6M - 01	6.0
TRDSLSP1 - 8M - 01	8.0
TRDSLSP1 - 10M - 01	10.0
TRDSLSP1 - 12M - 01	12.0
TRDSLSP1 - 14M - 01	14.0
TRDSLSP1 - 16M - 01	16.0
TRDSLSP1 - 18M - 01	18.0

Part Number	"A" ± 0.4
TRDSLSP2 - 3M - 01	3.0
TRDSLSP2 - 4M - 01	4.0
TRDSLSP2 - 6M - 01	6.0
TRDSLSP2 - 8M - 01	8.0
TRDSLSP2 - 10M - 01	10.0
TRDSLSP2 - 12M - 01	12.0
TRDSLSP2 - 14M - 01	14.0
TRDSLSP2 - 16M - 01	16.0
TRDSLSP2 - 18M - 01	18.0

Part Number	"A" ± 0.4
TRDSLSP3 - 3M - 01	3.0
TRDSLSP3 - 4M - 01	4.0
TRDSLSP3 - 6M - 01	6.0
TRDSLSP3 - 8M - 01	8.0
TRDSLSP3 - 10M - 01	10.0
TRDSLSP3 - 12M - 01	12.0
TRDSLSP3 - 14M - 01	14.0
TRDSLSP3 - 16M - 01	16.0
TRDSLSP3 - 18M - 01	18.0

Type	1
Top Hole	∅ 4.0 ± 0.08 mm
Top Panel Thickness	1.6 mm
Bottom Hole	4.0 mm

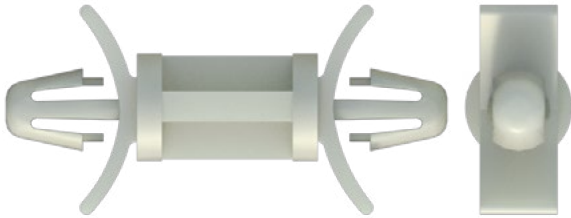
Type	2
Top Hole	∅ 4.8 ± 0.08 mm
Top Panel Thickness	1.6 mm
Bottom Hole	4.8 mm

Type	3
Top Hole	∅ 4.0 ± 0.08 mm
Top Panel Thickness	1.6 mm
Bottom Hole	4.8 mm

# Support Post Series

TRDLCBS/TRDLCBS2/TRDLCBS3

## Dual Locking Support Post (Cross)



Support Post Series

Type

Material

Colour

Unit

Standard Pack

Dual Locking Support Post

Nylon 6/6 V2 / TMS 001

Nylon 6/6 V0 / TMS 019

Natural

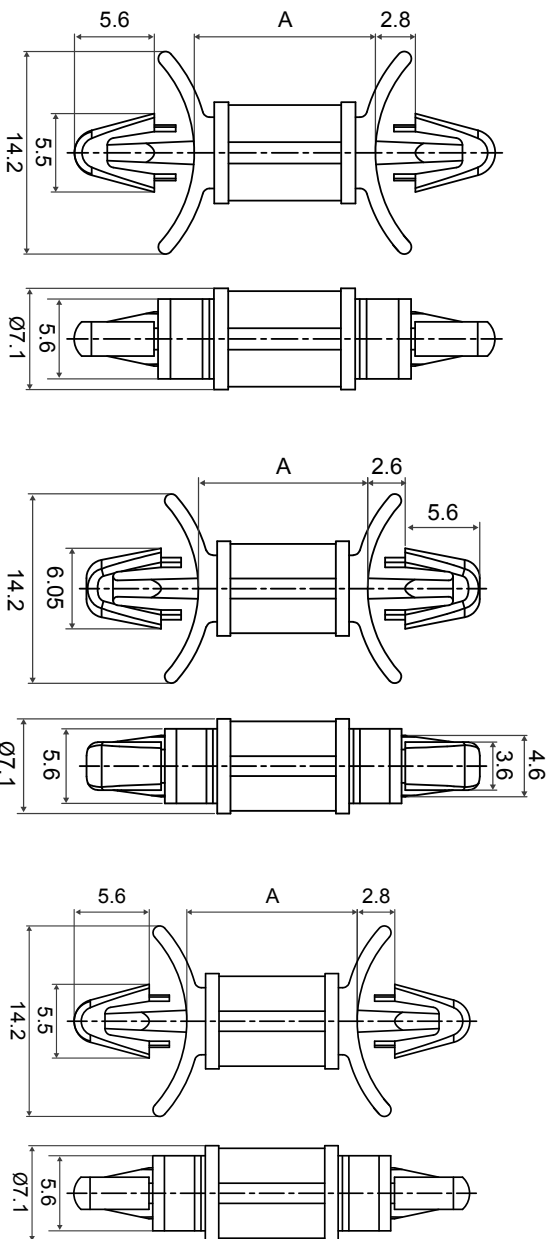
mm

1,000 per bag

Part number example -

Nylon 6/6 V2 = TRDLCBS-14-01

Nylon 6/6 V0 = TRDLCBS-14-19



Part Number	"A" ± 0.4
TRDLCBS - 3 - 01	4.8
TRDLCBS - 4 - 01	6.4
TRDLCBS - 6 - 01	9.5
TRDLCBS - 8 - 01	12.7
TRDLCBS - 10 - 01	15.9
TRDLCBS - 12 - 01	19.1
TRDLCBS - 14 - 01	22.2

Type	1
Top Hole	∅ 4.0 ± 0.08 mm
Bottom Hole	4.0 mm

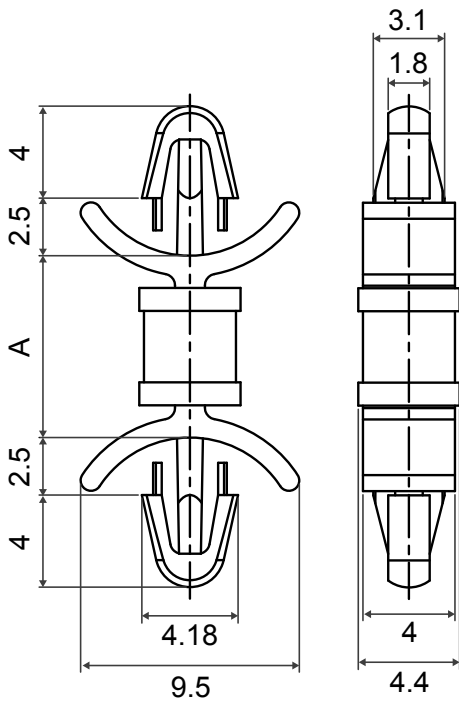
Part Number	"A" ± 0.4
TRDLCBS2 - 3 - 01	4.8
TRDLCBS2 - 4 - 01	6.4
TRDLCBS2 - 6 - 01	9.5
TRDLCBS2 - 8 - 01	12.7
TRDLCBS2 - 10 - 01	15.9
TRDLCBS2 - 12 - 01	19.1
TRDLCBS2 - 14 - 01	22.2

Type	2
Top Hole	∅ 4.8 ± 0.08 mm
Bottom Hole	4.8 mm

Part Number	"A" ± 0.4
TRDLCBS3 - 3 - 01	4.8
TRDLCBS3 - 4 - 01	6.4
TRDLCBS3 - 6 - 01	9.5
TRDLCBS3 - 8 - 01	12.7
TRDLCBS3 - 10 - 01	15.9
TRDLCBS3 - 12 - 01	19.1
TRDLCBS3 - 14 - 01	22.2

Type	3
Top Hole	∅ 4.8 ± 0.08 mm
Bottom Hole	4.0 mm

## Dual Locking Support Post (Cross)



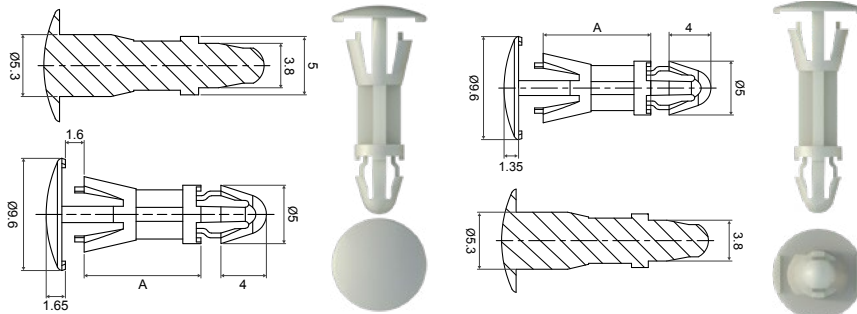
Support Post Series  
 Type Dual Locking Support Post  
 Material Nylon 6/6 V2 / TMS 001  
 Nylon 6/6 V0 / TMS 019  
 Colour Natural  
 Unit mm  
 Standard Pack 1,000 per bag

Top & Bottom Hole  $3.2 \pm 0.08$  mm  
 Panel Thickness 0.8 ~ 2.0 mm

Part number example -  
 Nylon 6/6 V2 = TRDLCBSM-10-01  
 Nylon 6/6 V0 = TRDLCBSM-10-19

Part Number	"A" $\pm 0.4$
TRDLCBSM - 3 - 01	4.8
TRDLCBSM - 4 - 01	6.4
TRDLCBSM - 5 - 01	7.9
TRDLCBSM - 6 - 01	9.5
TRDLCBSM - 7 - 01	11.1
TRDLCBSM - 8 - 01	12.7
TRDLCBSM - 9 - 01	14.3
TRDLCBSM - 10 - 01	15.9
TRDLCBSM - 14 - 01	22.2

## Reverse Locking Circuit Board Support



Type: 1

Type: 2

Support Post Series  
 Type Reverse Locking Circuit Board Support Post  
 Material Nylon 6/6 V2 / TMS 001  
 Nylon 6/6 V0 / TMS 019  
 Colour Natural  
 Unit mm  
 Standard Pack 1,000 per bag

Part number example -  
 Nylon 6/6 V2 = TRRLCBSK-14-01  
 Nylon 6/6 V0 = TRRLCBSK-14-19

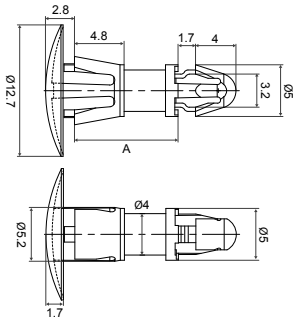
Type 1	
Part Number	"A" $\pm 0.4$
TRRLCBSK - 6 - 01	6.0
TRRLCBSK - 8 - 01	8.0
TRRLCBSK - 10 - 01	10.0
TRRLCBSK - 12 - 01	12.0
TRRLCBSK - 14 - 01	14.0
Type	1
Top Hole	$4.0 \pm 0.05$ mm
Bottom Hole	$5.4 \pm 0.05$ mm
Panel Thickness	1.6 mm

Type 2	
Part Number	"A" $\pm 0.4$
TRRLCBSK2 - 6 - 01	6.0
TRRLCBSK2 - 8 - 01	8.0
TRRLCBSK2 - 10 - 01	10.0
TRRLCBSK2 - 12 - 01	12.0
TRRLCBSK2 - 14 - 01	14.0
Type	2
Top Hole	$4.0 \pm 0.08$ mm
Top Panel Thickness	1.6 mm
Bottom Hole	$5.4 \pm 0.08$ mm
Bottom Panel Thickness	2.0 mm

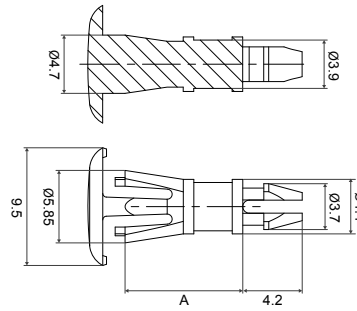
# Support Post Series

TRCRLCBSK2/TRRLCBSR/TRRLCBSRS/TRRLCBSR

## Reverse Locking Circuit Board Support



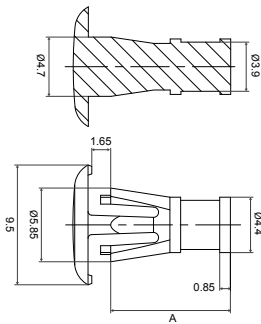
Type: 3



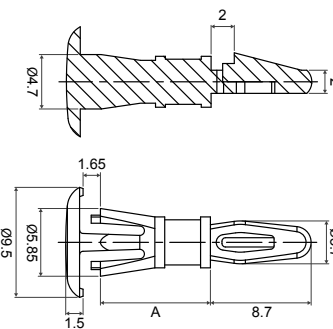
Type: 4

Type 3	
Part Number	"A" ± 0.4
TRCRLCBSK2 - 8 - 01	8.0
TRCRLCBSK2 - 10 - 01	10.0
TRCRLCBSK2 - 12 - 01	12.0
TRCRLCBSK2 - 14 - 01	14.0
Type	3
Top Hole	4.0 ± 0.08 mm
Top Panel Thickness	1.6 mm
Bottom Hole	5.4 ± 0.08 mm
Bottom Panel Thickness	1.0 - 1.6 mm

Type 4	
Part Number	"A" ± 0.4
TRRLCBSR - 4 - 01	6.4
TRRLCBSR - 5 - 01	7.9
TRRLCBSR - 6 - 01	9.5
TRRLCBSR - 7 - 01	11.1
TRRLCBSR - 8 - 01	12.7
TRRLCBSR - 9 - 01	14.3
TRRLCBSR - 10 - 01	15.9
Type	4
Top Hole	3.18 ± 0.05 mm
Top Panel Thickness	1.57 mm
Bottom Hole	4.75 ± 0.05 mm
Bottom Panel Thickness	1.5 - 1.6 mm



Type: 5

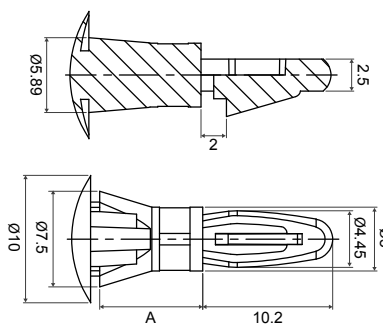
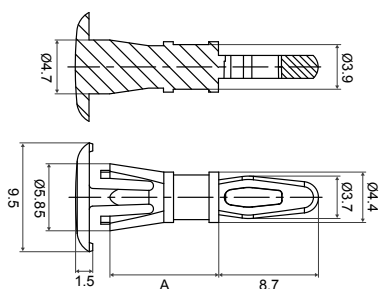


Type: 6

Type 5	
Part Number	"A" ± 0.4
TRRLCBSRS - 4 - 01	6.4
TRRLCBSRS - 5 - 01	7.9
TRRLCBSRS - 6 - 01	9.5
TRRLCBSRS - 7 - 01	11.1
TRRLCBSRS - 8 - 01	12.7
TRRLCBSRS - 9 - 01	14.3
TRRLCBSRS - 10 - 01	15.9
Type	5
Bottom Hole	4.75 ± 0.05 mm
Panel Thickness	1.5 - 1.6 mm

Type 6	
Part Number	"A" ± 0.4
TRRLCBSR - 4 - 01	6.4
TRRLCBSR - 5 - 01	7.9
TRRLCBSR - 6 - 01	9.5
TRRLCBSR - 7 - 01	11.1
TRRLCBSR - 8 - 01	12.7
TRRLCBSR - 9 - 01	14.3
TRRLCBSR - 10 - 01	15.9
Type	6
Top Hole	3.18 ± 0.05 mm
Top Panel Thickness	1.57 mm
Bottom Hole	4.75 ± 0.05 mm
Bottom Panel Thickness	1.5 - 1.6 mm

## Reverse Locking Circuit Board Support

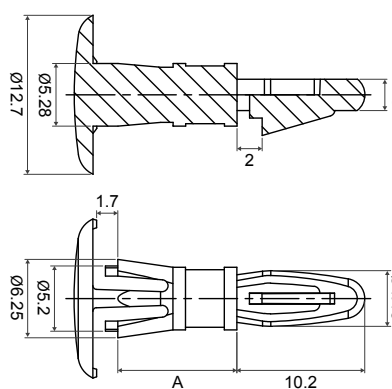
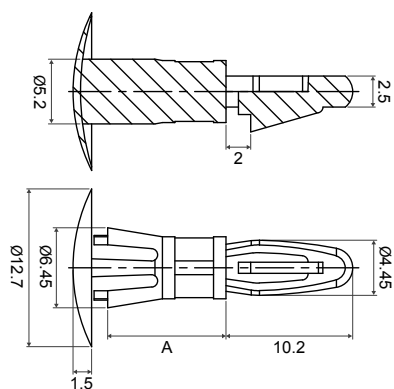


Type: 7

Type: 8

Type 7	
Part Number	"A" ± 0.4
TRRCBSR - 4 - 01	6.4
TRRCBSR - 5 - 01	7.9
TRRCBSR - 6 - 01	9.5
TRRCBSR - 7 - 01	11.1
TRRCBSR - 8 - 01	12.7
TRRCBSR - 9 - 01	14.3
TRRCBSR - 10 - 01	15.9
Type	7
Top Hole	3.18 ± 0.05 mm
Top Panel Thickness	1.57 mm
Bottom Hole	4.75 ± 0.05 mm
Bottom Panel Thickness	1.5 - 1.6 mm

Type 8	
Part Number	"A" ± 0.4
TRCRLCBSR - 3 - 01	4.8
TRCRLCBSR - 4 - 01	6.4
TRCRLCBSR - 5 - 01	7.9
TRCRLCBSR - 6 - 01	9.5
TRCRLCBSR - 8 - 01	12.7
TRCRLCBSR - 12 - 01	19.1
Type	8
Top Hole	4.0 ± 0.08 mm
Top Panel Thickness	1.56 mm
Bottom Hole	6.0 ± 0.08 mm
Bottom Panel Thickness	0.8 - 1.2 mm



Type: 9

Type: 10

Type 9	
Part Number	"A" ± 0.4
TRCRLCBSRE - 4 - 01	6.4
TRCRLCBSRE - 6 - 01	9.5
TRCRLCBSRE - 8 - 01	12.7
TRCRLCBSRE - 10 - 01	15.9
Type	9
Top Hole	4.0 ± 0.08 mm
Top Panel Thickness	1.56 mm
Bottom Hole	5.4 ± 0.08 mm
Bottom Panel Thickness	1.2 - 2.0 mm

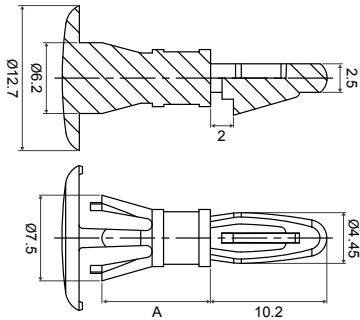
Type 10	
Part Number	"A" ± 0.4
TRRLCBSRE - 4 - 01	6.4
TRRLCBSRE - 6 - 01	9.5
TRRLCBSRE - 8 - 01	12.7
TRRLCBSRE - 10 - 01	15.9
Type	TRRLCBSRE
Top Hole	4.0 ± 0.08 mm
Top Panel Thickness	1.56 mm
Bottom Hole	5.4 ± 0.08 mm
Bottom Panel Thickness	1.5 - 1.65 mm



# Support Post Series

TRRLCBSR1/TRLCSB

## Reverse Locking Circuit Board Support



Type:11

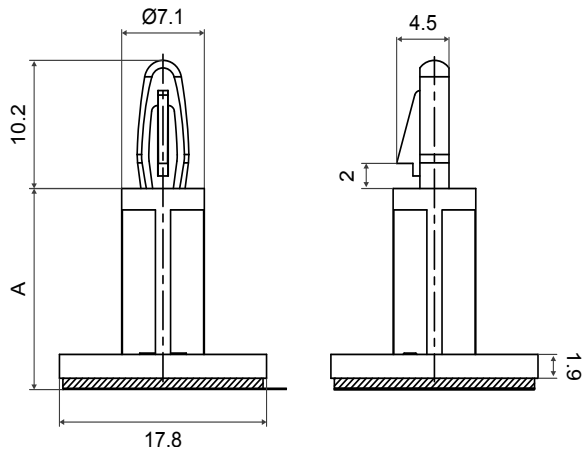
Type:11	
Part Number	"A" ± 0.4
TRRLCBSR1 - 4 - 01	6.4
TRRLCBSR1 - 6 - 01	9.5
TRRLCBSR1 - 8 - 01	12.7
TRRLCBSR1 - 10 - 01	15.9
Type	TRRLCBSR1
Top Hole	4.0 ± 0.08 mm
Top Panel Thickness	1.57 mm
Bottom Hole	6.35 ± 0.08 mm
Bottom Panel Thickness	1.5 - 1.65 mm

## Circuit Board Support on Base

### Adhesive Base Series

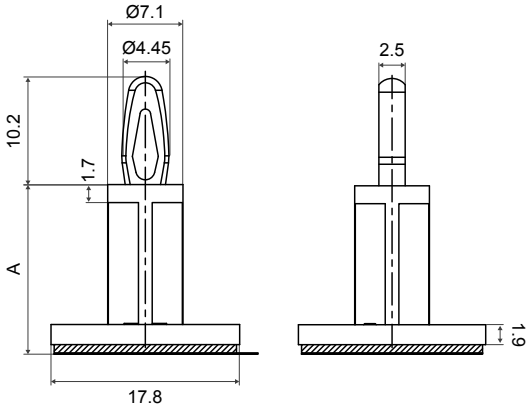
Type	Circuit Board Support on Base
Material	Nylon 6/6 V2 / TMS 001
Colour	Natural
Unit	mm
Standard Pack	1,000 per bag

Part number example -  
Nylon 6/6 V2 = TRLCBSB-3-01A2-RT



"A" ± 0.4	Adhesive Size	Part Number - Type 1
4.8	17.0x17.0x0.8	TRLCBSB - 3 - 01A2 - RT
6.4		TRLCBSB - 4 - 01A2 - RT
9.5		TRLCBSB - 6 - 01A2 - RT
12.7		TRLCBSB - 8 - 01A2 - RT
15.9		TRLCBSB - 10 - 01A2 - RT
19.1		TRLCBSB - 12 - 01A2 - RT
22.2		TRLCBSB - 14 - 01A2 - RT
25.4		TRLCBSB - 16 - 01A2 - RT
28.6		TRLCBSB - 18 - 01A2 - RT
Type		
Hole Dia.		4.0 ± 0.05 mm
Panel Thickness		1.6 mm

## Circuit Board Support on Base



"A" ± 0.4	Adhesive Size	Part Number - Type 2
4.8	17.0x17.0x0.8	TRCBSB - 3 - 01A2 - RT
6.4		TRCBSB - 4 - 01A2 - RT
9.5		TRCBSB - 6 - 01A2 - RT
12.7		TRCBSB - 8 - 01A2 - RT
15.9		TRCBSB - 10 - 01A2 - RT
19.1		TRCBSB - 12 - 01A2 - RT
22.2		TRCBSB - 14 - 01A2 - RT
25.4		TRCBSB - 16 - 01A2 - RT
28.6		TRCBSB - 18 - 01A2 - RT
<b>Type</b>		<b>2</b>
<b>Hole Dia.</b>		4.0 ± 0.05 mm
<b>Panel Thickness</b>		1.6 mm

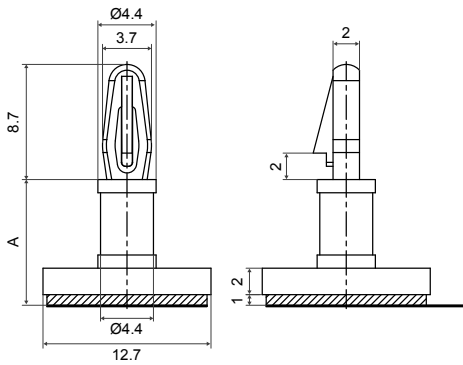
## Mini Circuit Board Support on Base

### Adhesive Base Series

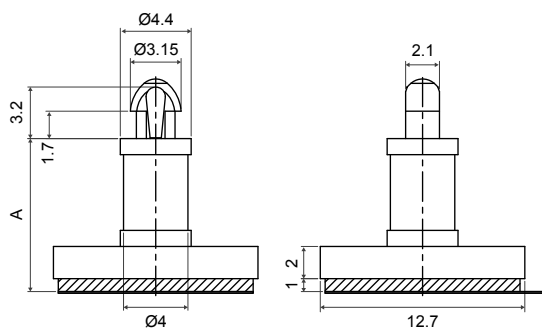
Type	Mini Circuit Board Support on Base
Material	Nylon 6/6 V2 / TMS 001
Colour	Natural
Unit	mm
Standard Pack	1,000 per bag

### Part number example -

Nylon 6/6 V2 = TRLCBSB-3-01A2-RT



"A" ± 0.4	Adhesive Size	Part Number - Type 3	
4.8	12.7x12.7x0.8	TRLCBSBM - 3 - 01A2 - RT	
6.4		TRLCBSBM - 4 - 01A2 - RT	
7.9		TRLCBSBM - 5 - 01A2 - RT	
9.5		TRLCBSBM - 6 - 01A2 - RT	
11.1		TRLCBSBM - 7 - 01A2 - RT	
12.7		TRLCBSBM - 8 - 01A2 - RT	
14.3		TRLCBSBM - 9 - 01A2 - RT	
15.9		TRLCBSBM - 10 - 01A2 - RT	
<b>Type</b>		<b>3</b>	
<b>Hole Dia.</b>		4.0 ± 0.05 mm	
<b>Panel Thickness</b>		1.6 mm	



"A" ± 0.4	Adhesive Size	Part Number - Type	
4.8	12.7x12.7x0.8	TRCBSBT - 3 - 01A2 - RT	
6.4		TRCBSBT - 4 - 01A2 - RT	
7.9		TRCBSBT - 5 - 01A2 - RT	
9.5		TRCBSBT - 6 - 01A2 - RT	
11.1		TRCBSBT - 7 - 01A2 - RT	
12.7		TRCBSBT - 8 - 01A2 - RT	
14.3		TRCBSBT - 9 - 01A2 - RT	
15.9		TRCBSBT - 10 - 01A2 - RT	
<b>Type</b>		<b>4</b>	
<b>Hole Dia.</b>		4.0 ± 0.05 mm	
<b>Panel Thickness</b>		1.6 mm	

The following material specification is used for identification of manufacturers materials and their properties. All data is obtained from the suppliers of raw materials. It does not represent a binding guarantee. TR Fastenings reserve the right to change manufacturer without notice.

The test material according to UL (Underwriter's Laboratories Inc.) allow classification of polymers according to their flame retardance.

With a horizontal and vertical test of fire behaviour under the influence of an open flame. Detailed information on UL, can be downloaded at, [www.ul.com](http://www.ul.com). The ratings are: UL94 -HB/V2/V1/V0

The temperature ranges of the various materials are guidelines received from the respective raw material manufacturers. It does not represent a binding guarantee. TR Fastenings reserve the right to change manufacturer without notice.

TMS Nr.	Material	UL-File Nr.	UL Classification	RoHS Compliant	Material Temperature Range					
					°C			°F		
001	Nylon 6/6	E70062	V2	Yes	-20	-	85	-4	-	185
003	PC	E45587	HB	Yes	-40	-	115	-40	-	239
008	PP	E63499	HB	Yes	0	-	65	32	-	149
014	POM Acetal	E38860	HB	Yes	-50	-	90	-58	-	194
019	Nylon 6/6	E70062	V0	Yes	-40	-	105	-40	-	221
026	PVC	E54709	V0	Yes	0	-	105	32	-	221
039	POM Acetal	E66288	HB	Yes	-40	-	100	-40	-	212
042	TPR	E80017	HB	Yes	-60	-	135	-76	-	275
052	Nylon 6	E41871	V2	Yes	-40	-	65	-40	-	149
072	PC Polycarbonate	E123529	V2	Yes	-40	-	80	-40	-	176
103	Nylon 66/6	E41871	V0	Yes	-40	-	65	-40	-	149
120	Nylon 6	E119177	V2	Yes	-40	-	152	-40	-	306
158	TPV	E80017	HB	Yes	-50	-	90	-58	-	194
173	Nylon 6 Glass Filled	E76261	HB	Yes	-20	-	140	-4	-	284

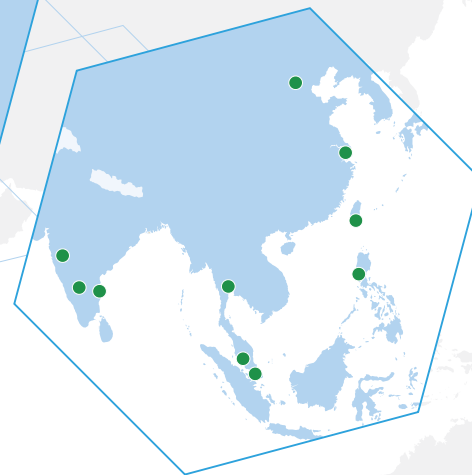
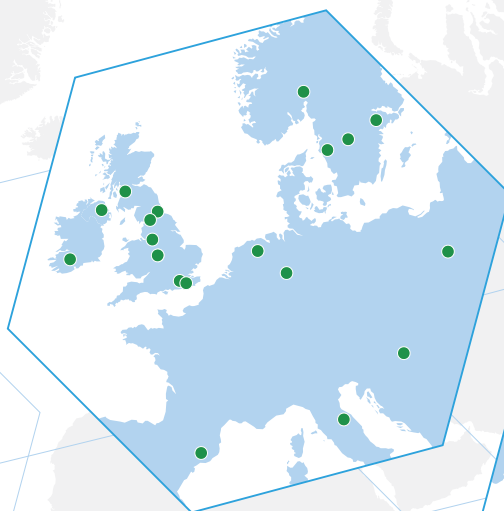
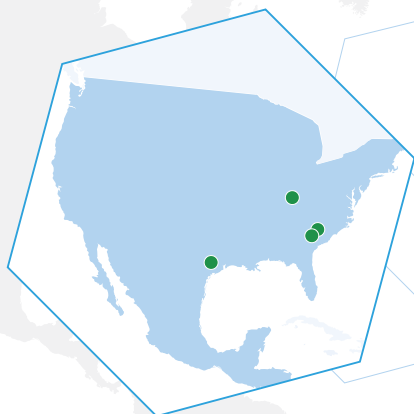
## RoHS Directives

RoHS (Restriction on Hazardous Substances) refers to the Directive 2002/95/EC of the European Parliament of 27 January 2003 - This directive bans from 1 July 2006, the subsequent use of hazardous substances in electrical and electronic equipment. Lead, mercury, cadmium, hexavalent chromium, polybrominated Biphenyl (PBB), polybrominated biphenyl ethers (PBDEs).

The WEEE (Waste Electronic Equipment) refers to Directive 2002/95/EC of the European Parliament of 27 January 2003. This policy is primarily to avoid the waste of electrical and electronic equipment, as well as their recycling. Please contact us if you need information regarding the RoHS or WEEE.

All data has been provided by the manufacturers of the raw materials available. It does not represent a binding guarantee TR Fastenings reserve right to change manufacturer without notice. TR Fastenings assumes no responsibility. All information (images, drawings, specifications) in this catalogue are not binding commitments and must be checked independently by the user to ensure product is fit for purpose. Technical changes are always reserved.

# Where we operate



## UK

t: +44 (0)8454 811 800  
e-mail: uk@trfastenings.com

## Ireland

t: +353 (0)22 22301  
e-mail: ireland@trfastenings.com

## Netherlands

t: +31 (0)541 511515  
e-mail: netherlands@trfastenings.com

## Norway

t: +47 67 06 70 00  
e-mail: norway@trfastenings.com

## Sweden

t: +46 (0)8 578 44 900  
e-mail: sweden@trfastenings.com

## Spain

t: +34 93 647 22 45  
e-mail: spain@trfastenings.com

## Hungary

t: +36 30 342 1218  
e-mail: hungary@trfastenings.com

## Poland - Representative

t: +48 (22)402 36 14  
e-mail: poland@trfastenings.com

## Italy

t: +39 (0)75 9149015  
e-mail: info@trvic.it

## Germany

t: +49 (0) 5246 . 50320 - 0  
e-mail: info@trkuhlmann.com

## USA

Houston - t: +1 800-280-2181  
Charlotte - t: +1 704-588-4740  
e-mail: usa@trfastenings.com

## Singapore

t: +65 6759 6033  
e-mail: singapore@trfastenings.com

## Malaysia

t: +6 (03) 5519 1444  
e-mail: psep@psep.com.my

## China

t: +86 21 5032 5696  
e-mail: china@trfastenings.com

## Taiwan

t: +886 7 557 6366  
e-mail: taiwan@trfastenings.com

## Philippines - Representative Office

t: +63-25768476  
e-mail: philippines@trfastenings.com

## India

t: +91 (0)44 4280 3932  
e-mail: india@trfastenings.com

## Thailand

t: +66(0)2 130 6562  
e-mail: thailand@trfastenings.com

## Japan - Representative

t: +81(0)70 4467 1118  
e-mail: japan@trfastenings.com



## Technical & innovation centres

### Birmingham - UK

t: +44 (0)121 521 0100  
e-mail: wednesbury@trfastenings.com  
sales@trfastenings.com

### Gothenburg - Sweden

t: +46 (0)31 31 760 776  
e-mail: sweden@trfastenings.com  
www.trfastenings.com

### CUICAR - South Carolina USA

t: +1 800 280 2181  
e-mail: usa@trfastenings.com  
info@trfastenings.com



Master Distributor Details

