

TR STOCK AN EXTENSIVE RANGE OF MICRO FASTENERS & COMPONENTS

Some of our DIN, ISO & JCIS parts include:

Washers from M1	Nuts from M1
Machine screws from M1	Slotted grub screws from M1
Socket screws from M1.4	Thread-forming fasteners for metal
Security screws from M1.6	Plas-Tech [®] 30 screws from 1.8mm
Tuning screws from M1.6	

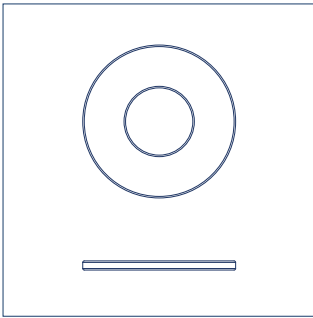
Insert bits available:

Hex | Torx[®] | Pozi-Driv[®] | Phillips[®]



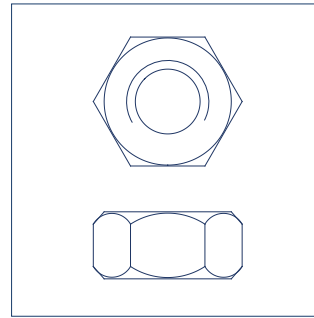
Micro Diameter Fasteners

Product Information



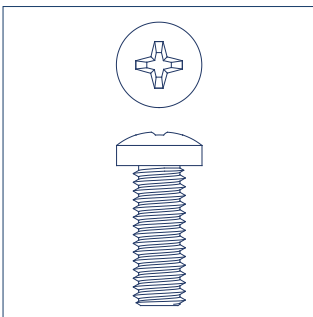
Washers

Form A, external tooth, internal tooth, external fan disc, internal fan disc, spring, curved.



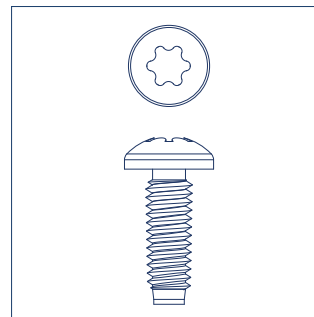
Nuts

Hex full nut, hex lock nut, hex nylon insert.



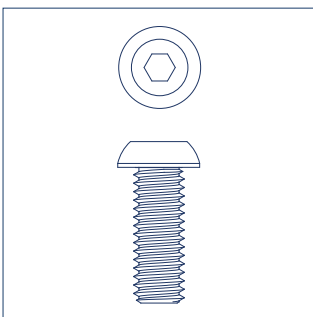
Machine Screws

PoziDriv® pan/countersunk, recess H pan/countersunk, Torx® pan/countersunk, slotted cheese/pan/countersunk.



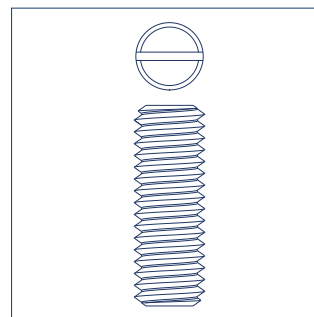
Thread Forming Screws

PoziDriv® pan/countersunk, Torx® pan.



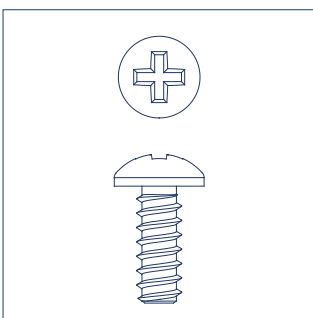
Socket Products

Capscrew, countersunk, low cap, button, flat point setscrew, cone point setscrew, plain cup setscrew, hex wrenches.



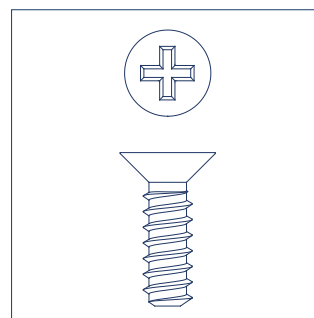
Slotted Grubscrews

Flat point, cone point.



JCIS Thread Forming Screws Type B

Small pan type 1, large pan type 3, small countersunk type 1, large countersunk type 3.



JCIS Thread Forming Screws Type P

Small pan type 1, large pan type 3, small countersunk type 1, large countersunk type 3.

